

Dummy Load w/Coupler, WR340

GERLING

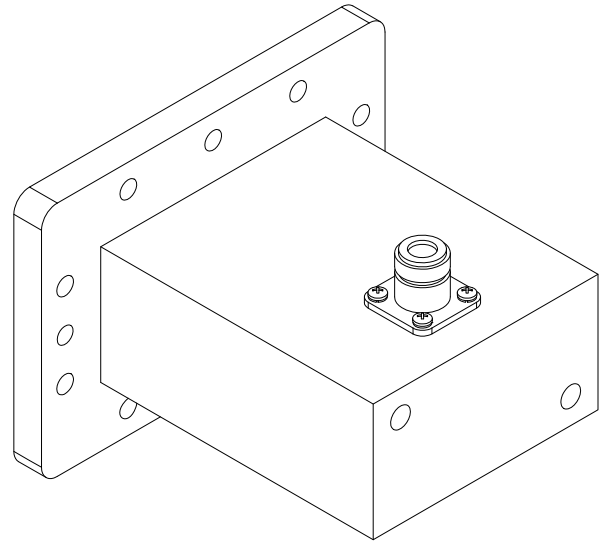
Model GA1212

GAE has extended its popular line of high power and compact dummy loads by offering a series with coupler ports for measuring incident microwave power. When used with a standard 3-port circulator in an isolator configuration these loads provide an economical means of monitoring reflected microwave power.

As with all GAE dummy loads, model GA1212 uses water as the absorptive medium in a polyethylene insert to provide excellent performance and long life at up to 6kW continuous input power. The naval brass water connection block minimizes corrosion due to harsh water supplies to further enhance reliability and extend life.

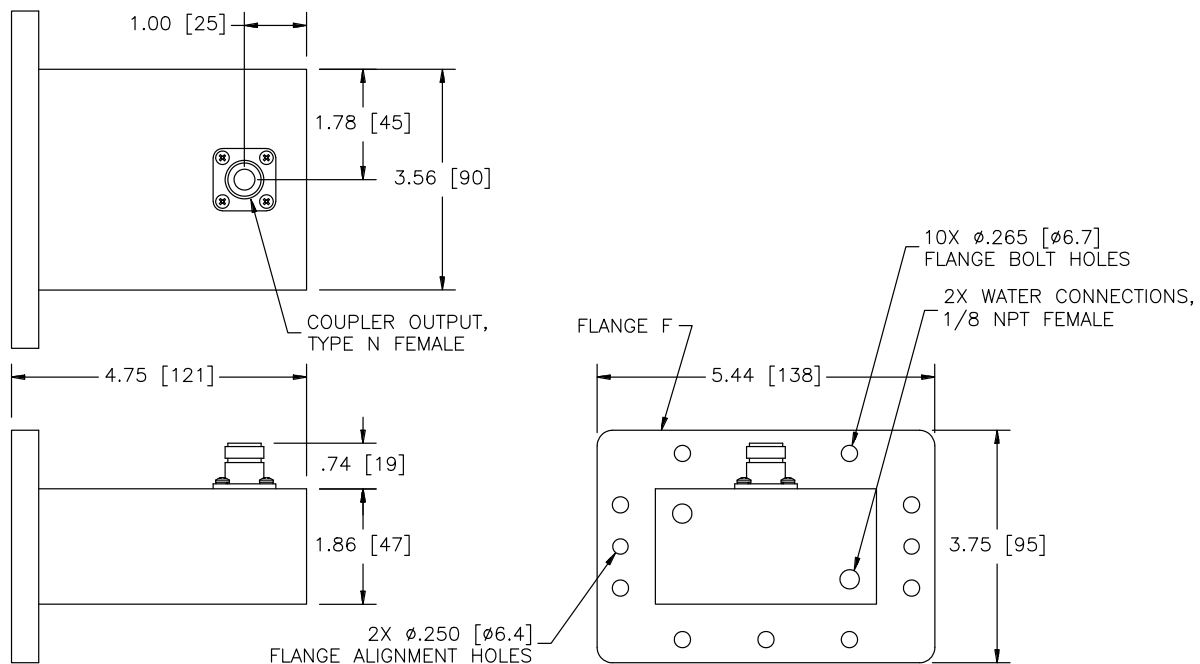
General Specifications:

Frequency	2450 MHz nominal
Input Power	6 kW continuous max.
Waveguide	WR340 (RG113/U)
Input Flange	CPR-F (UG1713/U)
Output Connector	Type N Female
Return Loss	20 dB min. @ 2450 MHz
Coupling Factor	60 dB +/- 1 dB
Water Connections	1/8 NPT Female
Water Flow	1.0 gpm nominal, 70 psi max. inlet pressure
Construction	Dip brazed aluminum, brass water connections
Finish	Clear chemical film (Alodine)



Options:

- ◆ Threaded inserts or studs on flange (any combination)
- ◆ Flange interlock switch
- ◆ Water connection fittings (various types available)
- ◆ Alternate coupling factor



GERLING APPLIED
ENGINEERING, INC.

© 2007-2012 Gerling Applied Engineering, Inc.
PO Box 580816 • Modesto, CA 95358 • USA
Phone: +1-209-527-8960 • Fax: +1-209-527-5385
E-mail: sales@2450MHz.com • Web: www.2450MHz.com