

# Dummy Load w/Power Reflector, WR284

GERLING

**Model GA1213**  
**Model GA1214**

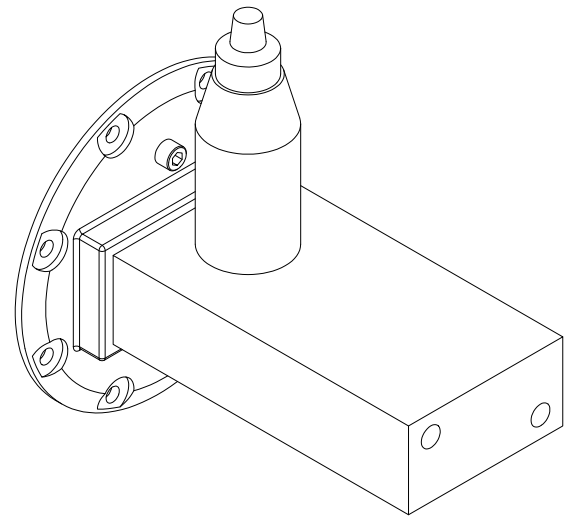
GAE has combined its compact dummy load with a precision power reflecting stub into a single waveguide component to provide variable return loss load for high power heating applications. This unique component is intended for situations requiring controlled variability of VSWR or variable power delivery using fixed output microwave generators.

Both models GA1213 and GA1214 use water as the absorptive medium in a polyethylene insert and naval brass water connections. A precision drive mechanism and locking multi-turn dial provide highly accurate and repeatable adjustment of the reflection.

Model GA1204 features the popular WR284 Q-D (quick-disconnect) round flange that uses a single screw clamp for waveguide connections.

**General Specifications:**

Frequency	2450 MHz nominal
Input Power	3 kW continuous max.
Waveguide	WR284 (RG75/U)
Input Flange	GA1213: CPR (UG1725/U) GA1214: Q-D Round (UG584/U)
Return Loss	6 to 23 dB
Water Connections	1/8 NPT Female
Water Flow	0.5 gpm min. at full input power, 70 psi max., 50°C max.
Finish	Clear chemical film, black paint



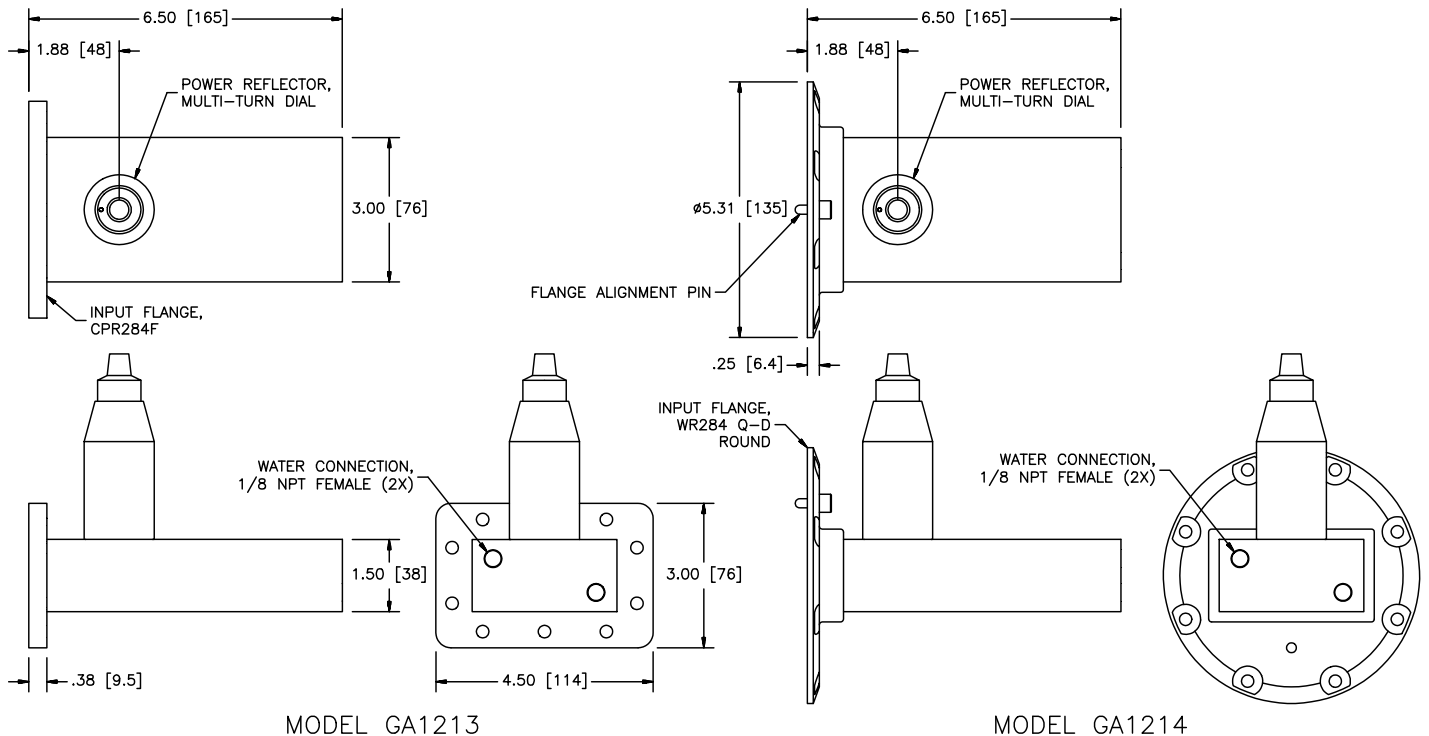
**Model GA1214**

**Options:**

- ◆ Heli-Coils or studs on flange (any combination)
- ◆ Flange interlock switch
- ◆ Water connection fittings (various types available)

**Accessories:**

- ◆ GA8410 quick-release flange clamp



MODEL GA1213

MODEL GA1214



**GERLING APPLIED  
ENGINEERING, INC.**

© 2003-2012 Gerling Applied Engineering, Inc.  
PO Box 580816 • Modesto, CA 95358 • USA  
Phone: +1-209-527-8960 • Fax: +1-209-527-5385  
E-mail: sales@2450MHz.com • Web: www.2450MHz.com