

High Power Dummy Load, 5.8 GHz, CPR159

GERLING

Model GA1221
Model GA1222

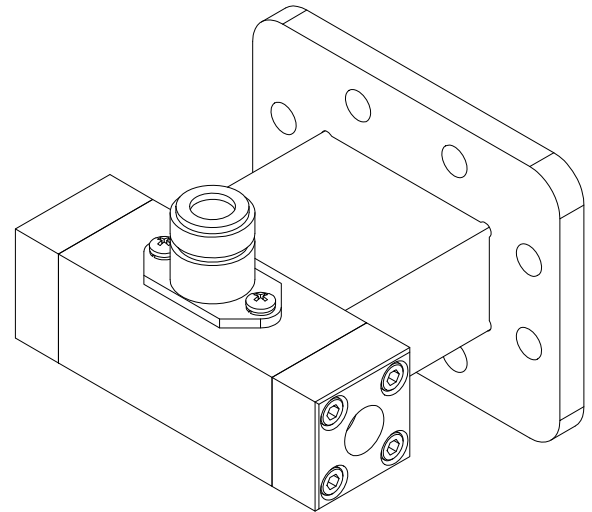
GAE's popular line of high power and compact dummy loads have the highest ratio of power capacity to size of any commercially available waveguide load. These loads are most often used with circulators in an isolator configuration, but they are also useful as phantom loads for testing and calibration as well as traveling wave and variable Q applicators.

As with all GAE dummy loads, models GA1221 and GA1222 use ordinary water as the absorptive medium. With quartz tubing for water conveyance, the internal geometry was computer-optimized to maximize return loss over a broad range of operating temperatures. Stainless steel water connections minimize corrosion from harsh water supplies to further enhance reliability and life.

Model GA1222 features a coupling port used to measure incident power. The coupling factor may be specified by the customer.

General Specifications:

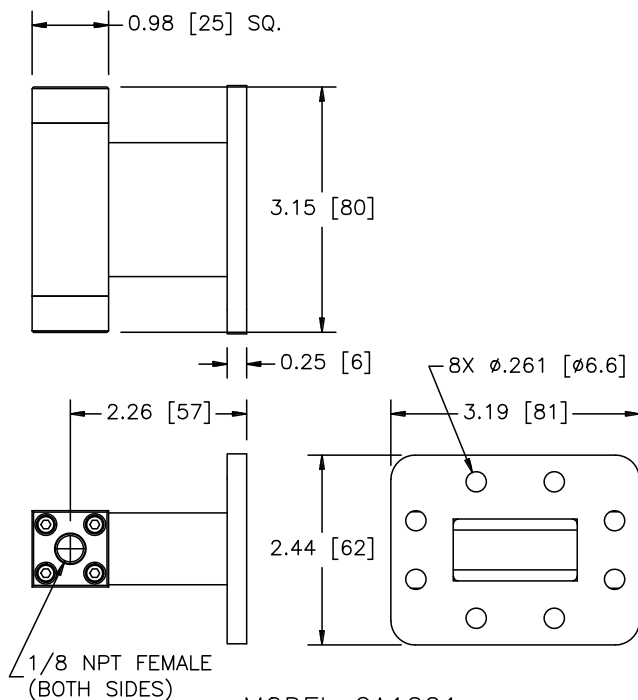
| | |
|-------------------|---|
| Frequency | 5.8 GHz +/- 75 MHz |
| Input Power | 700 Watts continuous max. |
| Waveguide | WR159 (RG344/U) |
| Input Flange | CPR159F (UG1731/U) |
| Return Loss | 20 dB min. (inlet/outlet water temp within 20-50°C) |
| Coupling Factor | 60 dB +/- 0.2 dB (GA1222 only) |
| Water Connections | 1/8 NPT Female |
| Water Pressure | 70 psig max. inlet |
| Construction | Aluminum waveguide, stainless steel water connections |
| Finish | Chemical conversion coating; textured black paint |



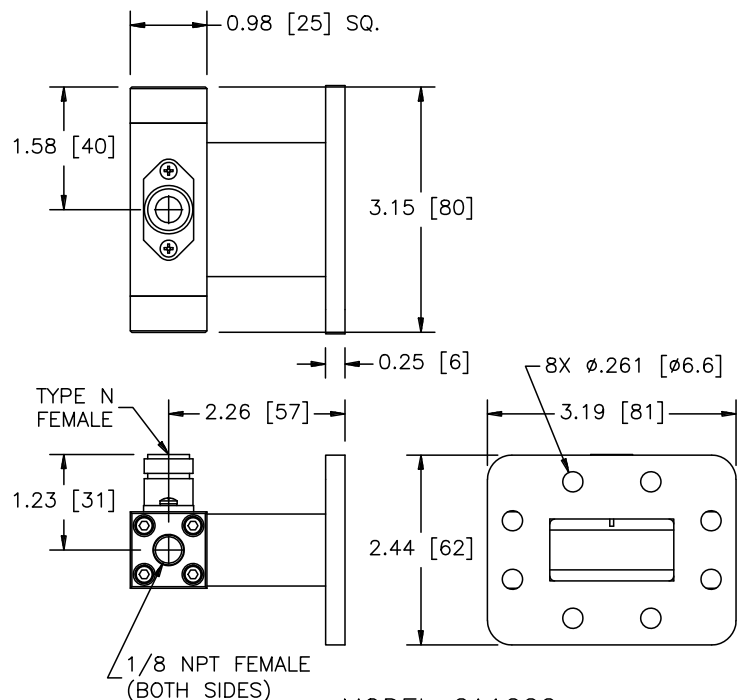
Model GA1222

Options:

- ◆ Threaded inserts or studs on flange
- ◆ Flange interlock switch
- ◆ Water connection fittings (various types available)
- ◆ Alternate coupling factor (model GA1222)



MODEL GA1221



MODEL GA1222



GERLING APPLIED
ENGINEERING, INC.

© 2003-2010 Gerling Applied Engineering, Inc.
PO Box 580816 • Modesto, CA 95358 • USA
Phone: +1-209-527-8960 • Fax: +1-209-527-5385
E-mail: sales@5800MHz.com • Web: www.5800MHz.com