

# Waveguide Adapter, Type N Coax

GERLING

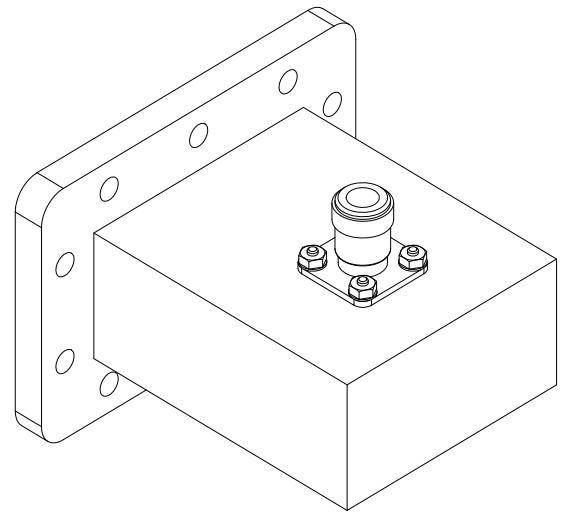
**Model GA2001**  
**Model GA2005**

GAE offers a series of high power waveguide to coax transitions that deliver high performance at relatively high microwave power levels. Each model in the series utilizes the classical cross-bar method of terminating the coaxial center conductor, thus minimizing or eliminating the voltage breakdown common with non-terminated designs. The power rating is limited only by the rating of the coaxial cable (provided by the customer) attached to the Type N connector, which in most cases does not exceed 1 kW.

Model GA2005 features the popular WR284 Q-D (quick-disconnect) round flange that uses the model GA8410 quick release clamp for waveguide connections.

**General Specifications:**

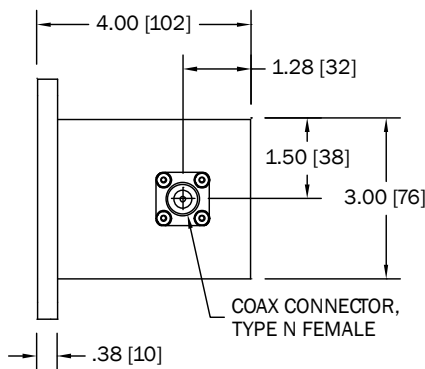
Frequency	2450 MHz +/- 50 MHz
Input Power	1 kW continuous max. (output to matched load)
Waveguide	WR284 (RG75/U)
Waveguide Flange	GA2001: CPR (UG1725/U) GA2005: Q-D Round (UG584/U)
Coax Connector	Type N female
Input VSWR	1.2 max.
Insertion Loss	.13 dB max
Construction	Aluminum waveguide body; Brass coax connector and center conductor
Finish	Chemical film (clear)



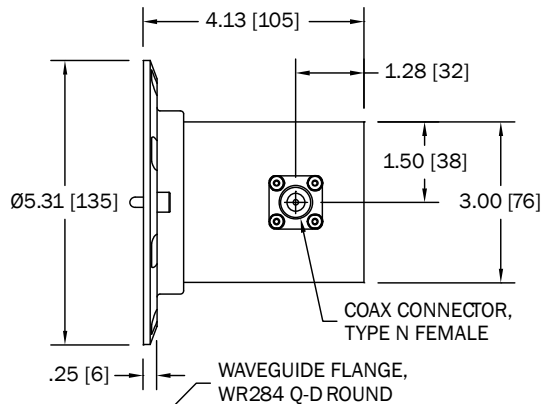
**Model GA2001**

**Options:**

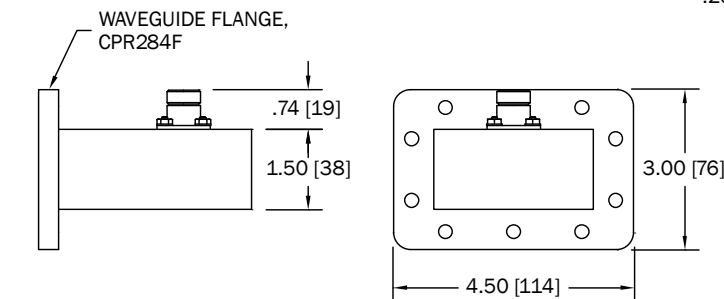
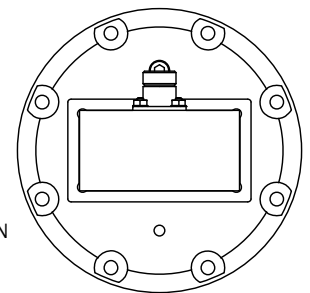
- ◆ Threaded inserts or studs on flange (any combination)
- ◆ Flange interlock switch



**MODEL GA2001**



**MODEL GA2005**



**GERLING APPLIED ENGINEERING, INC.**

© 2003-2014 Gerling Applied Engineering, Inc.  
PO Box 580816 • Modesto, CA 95358 • USA  
Phone: +1-209-527-8960 • Fax: +1-209-527-5385  
E-mail: sales@2450MHz.com • Web: www.2450MHz.com