

Waveguide Adapter, WR284 to EIA 1-5/8 Coax

GERLING

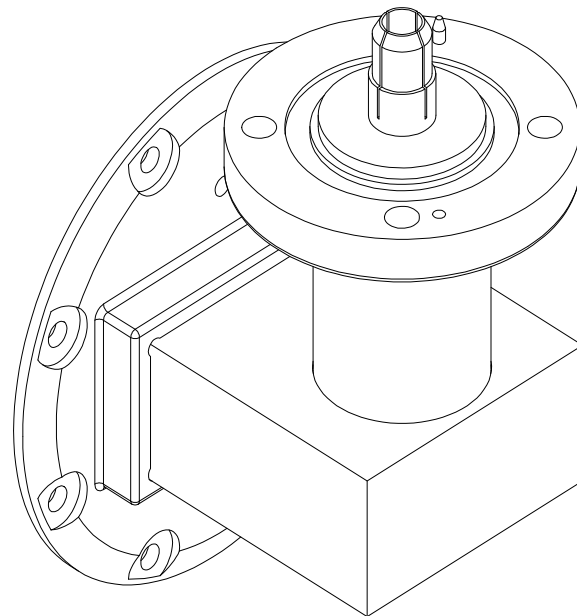
Model GA2010
Model GA2013

GAE offers a series of high power waveguide to coax transitions that deliver high performance at high microwave power levels. Each model in the series utilizes the classical cross-bar method of terminating the coaxial center conductor, thus minimizing or eliminating the voltage breakdown common with non-terminated designs.

Model GA2010 features the popular WR284 Q-D (quick-disconnect) round flange that uses a single screw clamp for waveguide connections.

General Specifications:

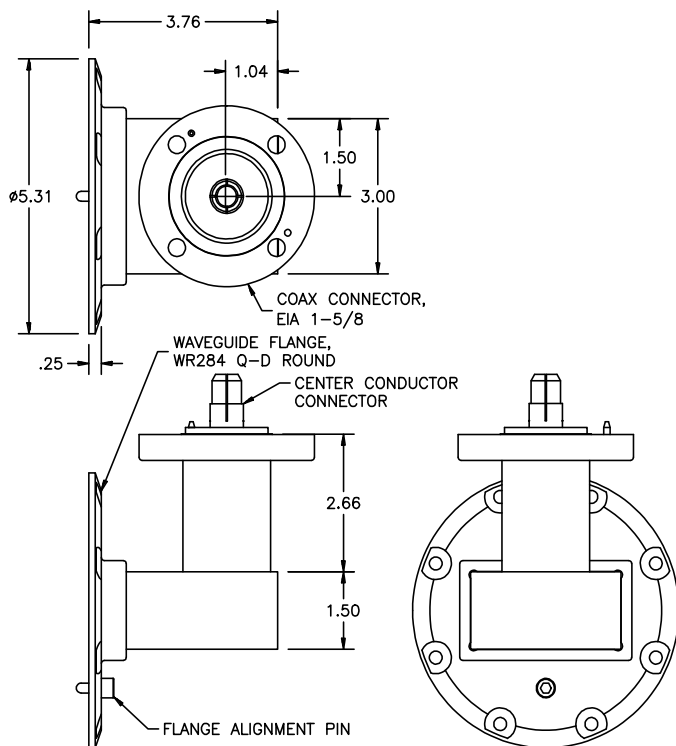
Frequency	2450 MHz +/- 50 MHz
Input Power	3 kW continuous max. (output to matched load)
Waveguide	WR284 (RG75/U)
Waveguide Flange	GA2010: Q-D Round (UG584/U) GA2013: CPR (UG1725/U)
Coax Connector	EIA 1-5/8, swiveling
Input VSWR	1.3 max.
Insertion Loss	.1 dB max
Construction	6061-T6 Aluminum
Finish	Chemical conversion coating (alodine)



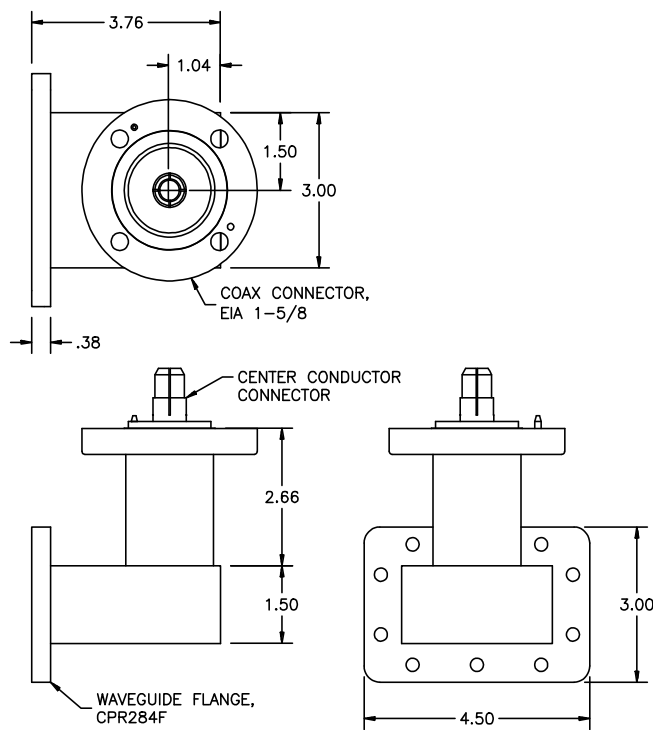
Model GA2010

Options:

- ◆ Threaded inserts or studs on flange (any combination)
- ◆ Flange interlock switch



MODEL GA2010



MODEL GA2013



**GERLING APPLIED
ENGINEERING, INC.**

© 2003-2009 Gerling Applied Engineering, Inc.
PO Box 580816 • Modesto, CA 95358 • USA
Phone: +1-209-527-8960 • Fax: +1-209-527-5385
E-mail: sales@2450MHz.com • Web: www.2450MHz.com