

Waveguide Adapter, 7/16 DIN Coax, 2.45 GHz

GERLING

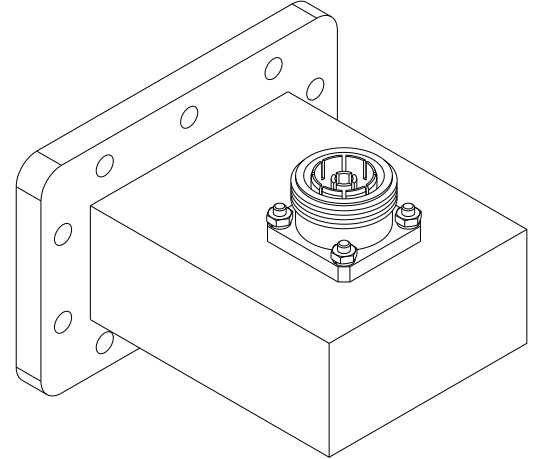
Model GA2020
Model GA2021
Model GA2022
Model GA2023

GAE offers a series of high power waveguide to coax transitions that deliver high performance at relatively high microwave power levels. Each model in the series utilizes the classical cross-bar method of terminating the coaxial center conductor, thus minimizing or eliminating the voltage breakdown common with non-terminated designs. The power rating is limited only by the rating of the coaxial cable (provided by the customer) attached to the 7/16 DIN connector, which in most cases does not exceed 1.5 kW.

Model GA2020 features the popular WR284 O-D (quick-disconnect) round flange that uses the model GA8410 quick release clamp for waveguide connections.

General Specifications:

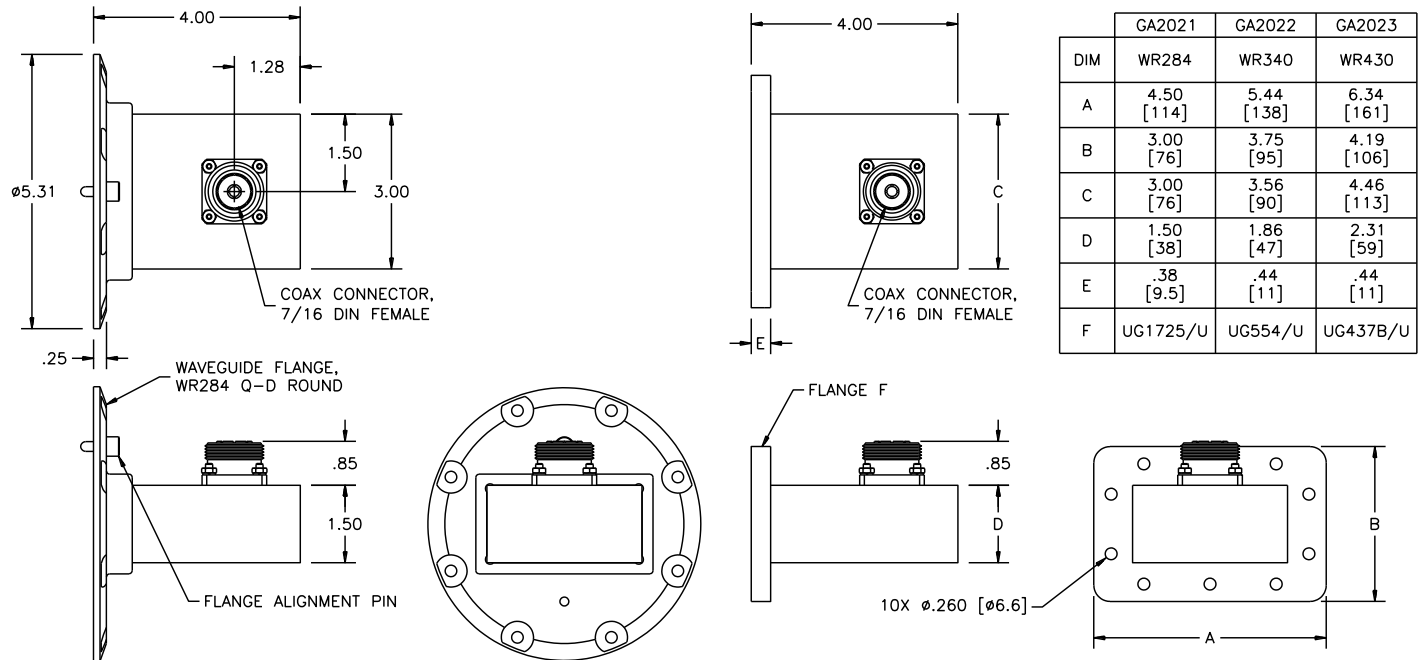
Frequency	2450 MHz +/- 50 MHz
Input Power	1.5 kW continuous max. (output to matched load)
Waveguide	GA2020 & GA2021: WR284 (RG75/U) GA2022: WR340 (RG113/U) GA2023: WR430 (RG105/U)
Waveguide Flange	GA2020: O-D Round (UG584/U) GA2021: CPR (UG1725/U) GA2022: UG554/U GA2023: UG437B/U
Coax Connector	7/16 DIN female
Input VSWR	1.2 max.
Insertion Loss	.13 dB max.
Construction	Aluminum waveguide body; Brass coax connector and center conductor
Finish	Chemical conversion coating (alodine)



Model GA2021

Options:

- ◆ Threaded inserts or studs on flange (any combination)
- ◆ Flange interlock switch
- ◆ 7/16 DIN male connector



MODEL GA2020

MODELS GA2021-GA2023

	GA2021	GA2022	GA2023
DIM	WR284	WR340	WR430
A	4.50 [114]	5.44 [138]	6.34 [161]
B	3.00 [76]	3.75 [95]	4.19 [106]
C	3.00 [76]	3.56 [90]	4.46 [113]
D	1.50 [38]	1.86 [47]	2.31 [59]
E	.38 [9.5]	.44 [11]	.44 [11]
F	UG1725/U	UG554/U	UG437B/U



GERLING APPLIED ENGINEERING, INC.

© 2009 Gerling Applied Engineering, Inc.
 PO Box 580816 ▪ Modesto, CA 95358 ▪ USA
 Phone: +1-209-527-8960 ▪ Fax: +1-209-527-5385
 E-mail: sales@2450MHz.com ▪ Web: www.2450MHz.com