

Waveguide Adapter, WR975 to EIA 1-5/8 Coax

GERLING

Model GA2030

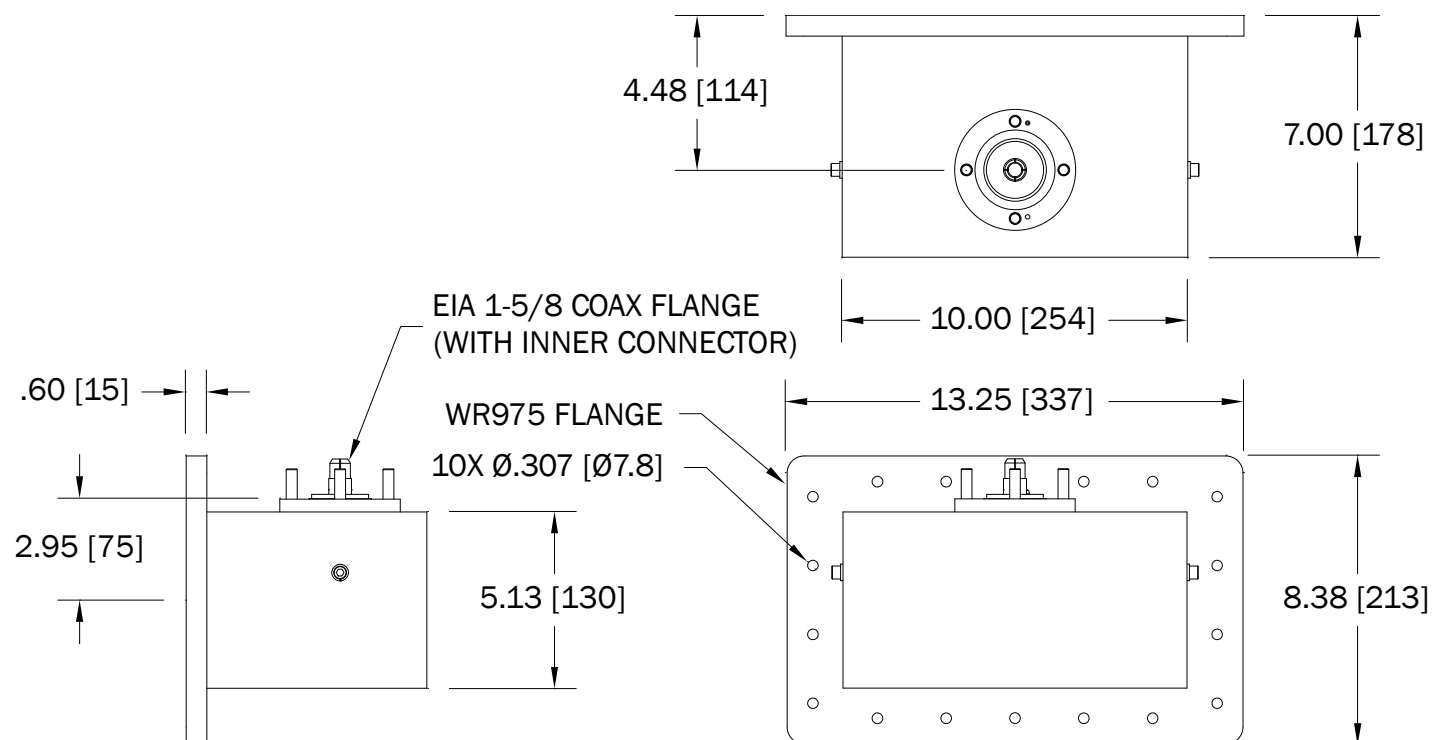
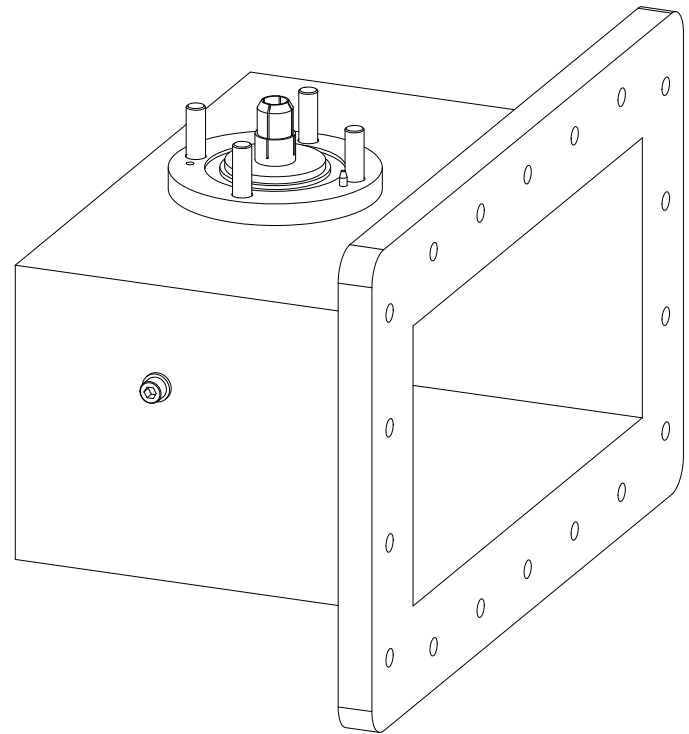
GAE offers a series of high power waveguide to coax transitions that deliver high performance at high microwave power levels. Each model in the series utilizes the classical cross-bar method of terminating the coaxial center conductor, thus minimizing or eliminating the voltage breakdown common with non-terminated designs. The removable inner connector allows mating with standard (female) or fixed male EIA connectors.

General Specifications:

Frequency	915 MHz +/- 15 MHz
Input Power	5 kW continuous max. (output to matched load)
Waveguide	WR975
Waveguide Flange	WR975-F
Coax Connector	EIA 1-5/8, fixed, with inner connector
Input VSWR	1.3 max.
Insertion Loss	.1 dB max
Construction	6061-T6 Aluminum
Finish	Chemical conversion coating (alodine) Black paint

Options:

- ◆ Threaded inserts or studs on flange (any combination)
- ◆ Flange interlock switch



GERLING APPLIED
ENGINEERING, INC.

© 2015 Gerling Applied Engineering, Inc.
PO Box 580816 • Modesto, CA 95358 • USA
Phone: +1-209-527-8960 • Fax: +1-209-527-5385
E-mail: sales@2450MHz.com • Web: www.2450MHz.com