

Flexible Waveguide, CPR284

GERLING

Model GA2101

Specifications:

| | |
|--------------------|--|
| Waveguide | WR284 |
| Flange | CPR284F (UG1725/U) |
| Material | Brass flanges, corrugated copper waveguide |
| Construction | Silver solder |
| Input Power | 4 kW average max. |
| VSWR | 1.10 max. |
| Insertion Loss | .02 dB/ft max. |
| Length A (min/max) | 4.00 [102]; 48.00 [1219] |
| Bend Radius (min) | E-plane: 4" [102]; H-plane: 12" [306] |
| Operating Temp | 400 °F (204 °C) max. |

Options:

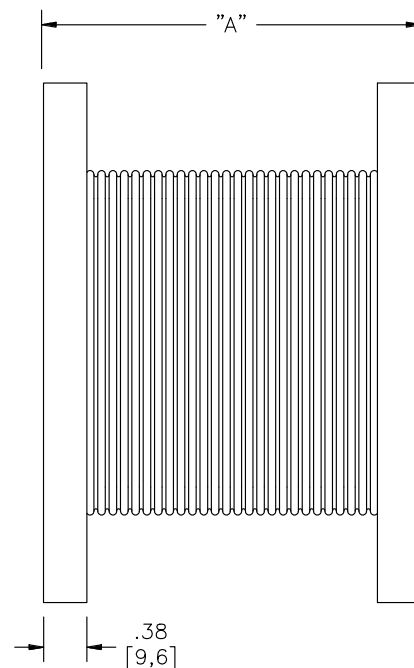
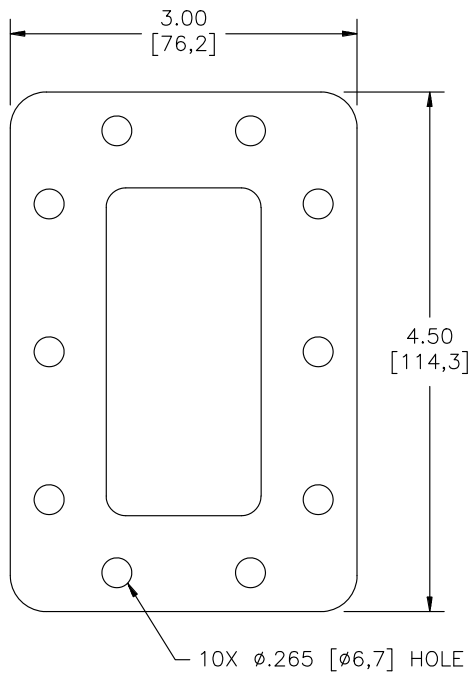
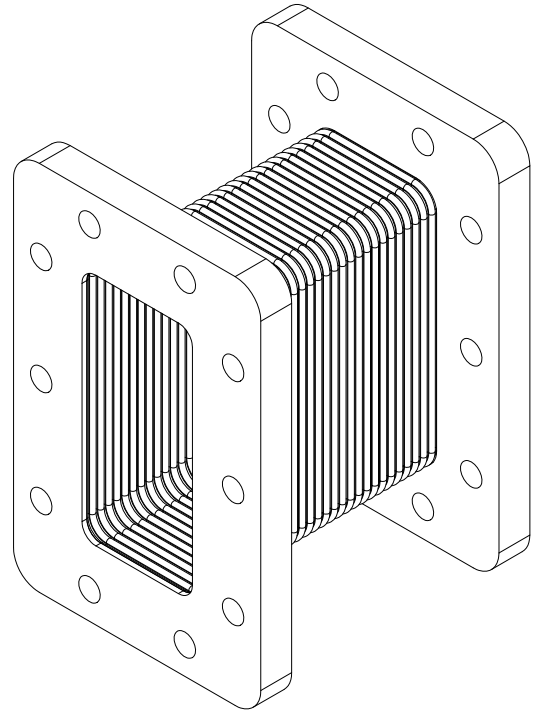
- ◆ Threaded flange holes (see ordering information)
- ◆ Flange interlock switches

Ordering Information:

Model Number Format: **GA2101-X.XX**
X.XX = "A" dimension (inches)

Optional threaded inserts: Add "H" or "M" after dimension suffix for threaded holes in one flange only, "HH" or "MM" for threads in both flanges (H = 1/4-20 UNC; M = M6 metric)

Example: **GA2101-12.00H** designates Flexible Waveguide, CPR284, 12.00 inches long with threaded holes in one flange only



GERLING APPLIED
ENGINEERING, INC.

© 2003-2011 Gerling Applied Engineering, Inc.
PO Box 580816 • Modesto, CA 95358 • USA
Phone: +1-209-527-8960 • Fax: +1-209-527-5385
E-mail: sales@2450MHz.com • Web: www.2450MHz.com