

Flexible (Non-Twistable) Waveguide, WR430

GERLING

Model GA2103

Specifications:

Waveguide	WR430
Flange	UG-1716/U
Material	Flanges: Brass Waveguide: Copper, silver plated
Construction	Silver solder
Input Power	20 kW average max.
VSWR	1.10 max.
Insertion Loss	.02 dB/ft max.
Bend Radius (min)	E-plane: 5 inches [127 mm] H-plane: 7 inches [178 mm]
Operating Temp	400 °F (204 °C) max.

Options:

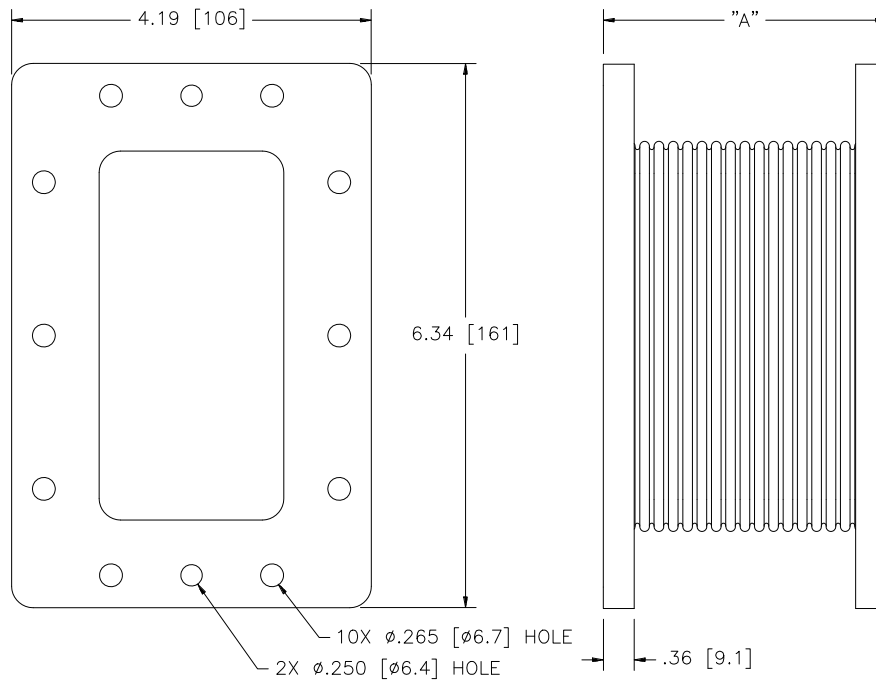
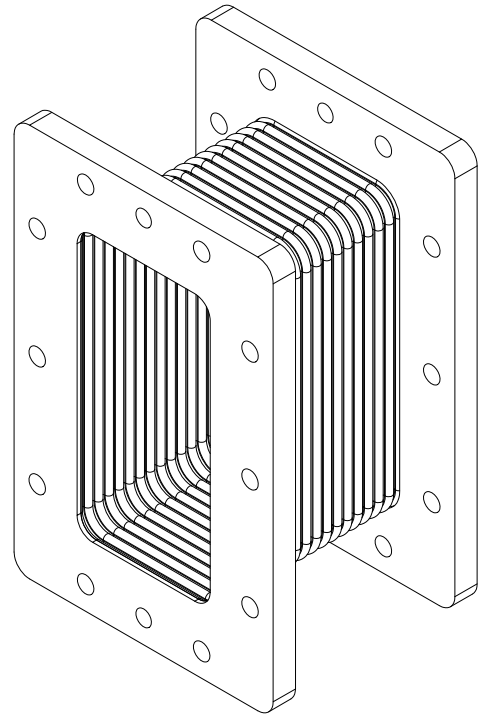
- ◆ Threaded flange holes (see ordering information)
- ◆ Flange Interlock switches

Ordering Information:

Model Number Format: **GA2103-X.XX**
X.XX = "A" dimension (inches)
Max length = 24 inches [610 mm]

Optional threaded inserts: Add "H" or "M" after dimension suffix for threaded holes in one flange only, "HH" or "MM" for threads in both flanges (H = 1/4-20 UNC; M = M6 metric)

Example: **GA2103-12.00H** designates Flexible Waveguide, WR430, 12.00 inches long with threaded holes in one flange only



GERLING APPLIED
ENGINEERING, INC.

© 2009-2014 Gerling Applied Engineering, Inc.
PO Box 580816 • Modesto, CA 95358 • USA
Phone: +1-209-527-8960 • Fax: +1-209-527-5385
E-mail: sales@2450MHz.com • Web: www.2450MHz.com