

# Flexible Waveguide, CPR159

GERLING

## Model GA2105

### Specifications:

Waveguide	WR159
Flange	Quick-disconnect round, compatible with UG-1731/U
Material	Brass flanges, corrugated copper waveguide
Construction	Silver solder
Input Power	1 kW average max.
VSWR	1.10 max.
Insertion Loss	.02 dB/ft max.
Length A (min/max)	4.00 [102]; 48.00 [1219]
Bend Radius (min)	E-plane: 4" [102]; H-plane: 12" [306]
Max. Twist	7.5°/in. (3°/cm)
Operating Temp	400 °F (204 °C) max.

### Options:

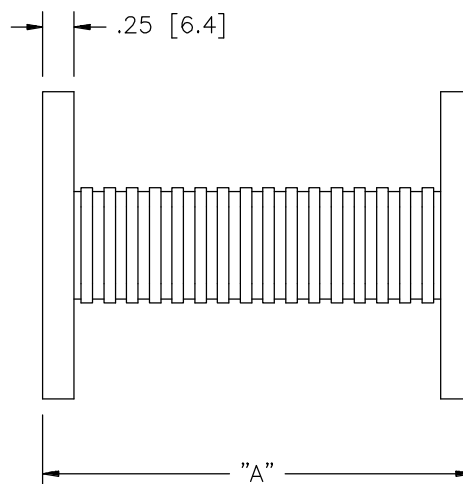
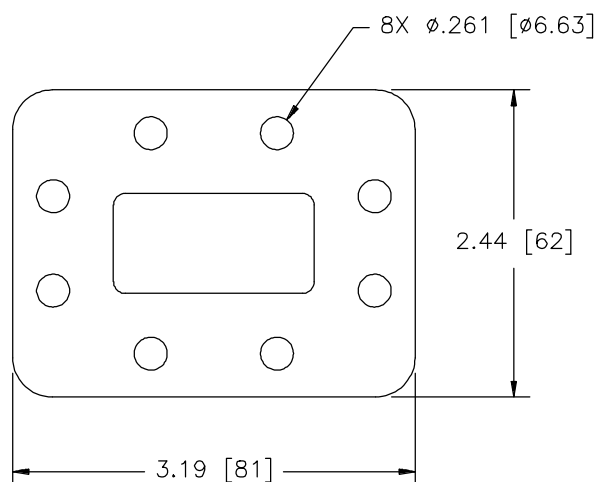
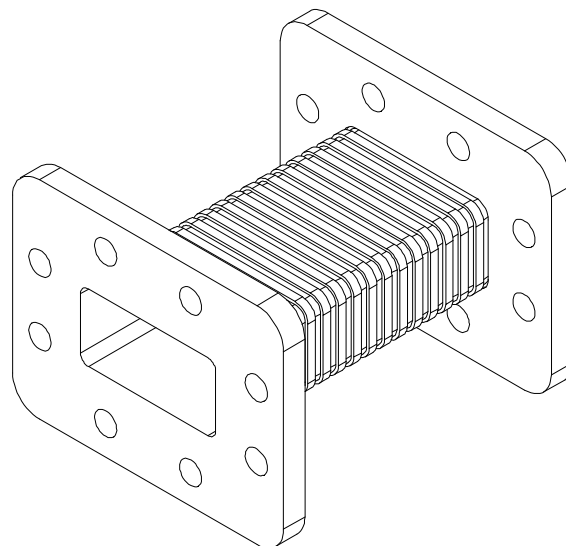
- ◆ Flange interlock switches

### Ordering Information:

Model Number Format: **GA2105-X.XX**

X.XX = "A" dimension (inches)

Example: **GA2105-12.00** designates a 12" long section of WR159 flexible waveguide



GERLING APPLIED  
ENGINEERING, INC.

© 2011 Gerling Applied Engineering, Inc.  
PO Box 580816 ▪ Modesto, CA 95358 ▪ USA  
Phone: +1-209-527-8960 ▪ Fax: +1-209-527-5385  
E-mail: sales@2450MHz.com ▪ Web: www.2450MHz.com