

Straight Rigid Waveguide, WR284

GERLING

Model GA2204

Specifications:

Waveguide	WR284
Flange	Quick-disconnect round, compatible with UG-584/U
VSWR	1.02 max.
Insertion Loss	.01 dB/ft max.
Length A (min/max)	1.75 (44,4); 48.00 (1219)
Material	6061-T6 aluminum
Construction	Dip braze per MIL-B-7883C, Type 5, Grade B
Finish	Clear chemical film per MIL-C-5541, Class 1A

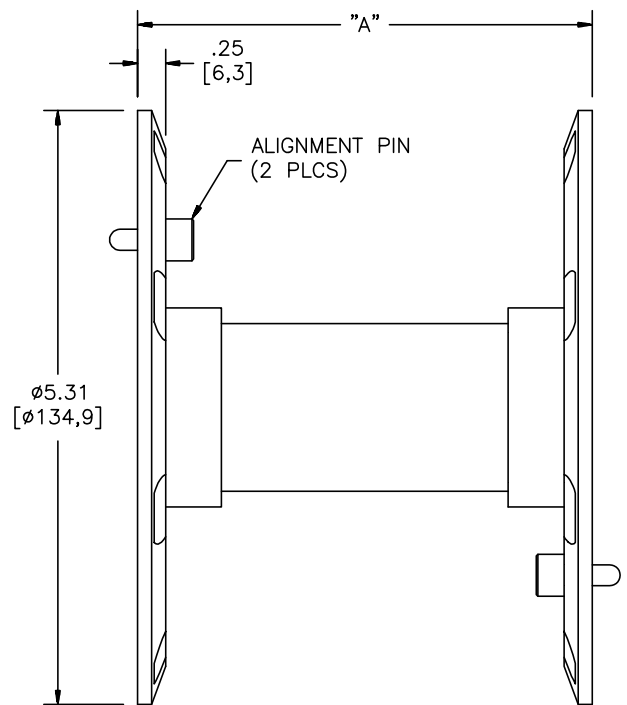
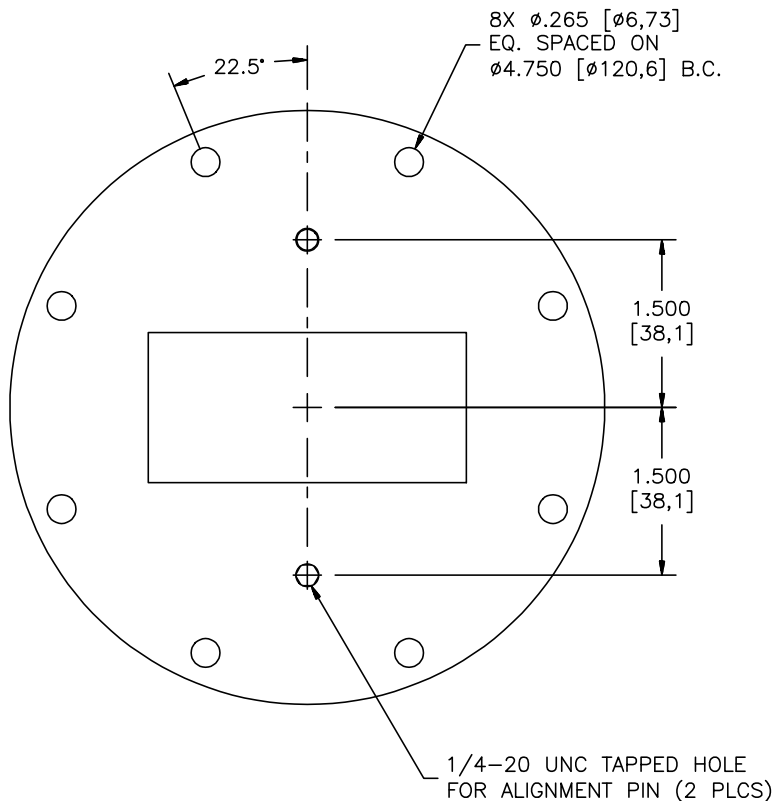
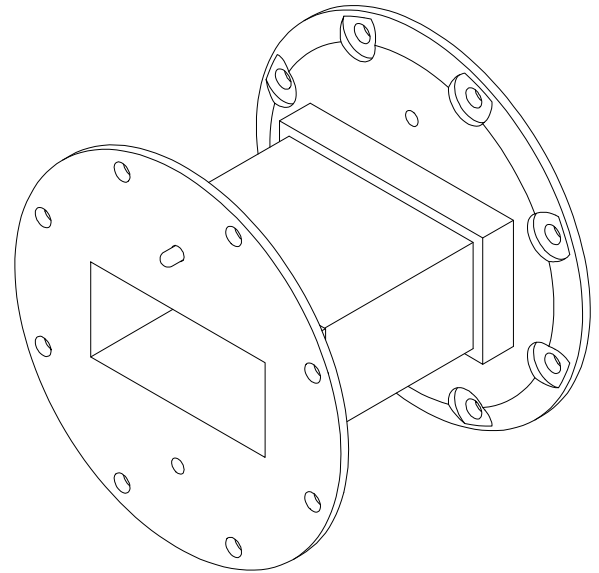
Options:

- ◆ Flange interlock switches
- ◆ Alternate finish

Ordering Information:

Model Number Format: **GA2204-X.XX**
X.XX = "A" dimension (inches)

Example: **GA2204-12.00** designates a 12" long section of WR284 rigid waveguide



GERLING APPLIED
ENGINEERING, INC.

© 2003 Gerling Applied Engineering, Inc.
PO Box 580816 • Modesto, CA 95358 • USA
Phone: +1-209-527-8960 • Fax: +1-209-527-5385
E-mail: sales@2450MHz.com • Web: www.2450MHz.com