

Straight Rigid Waveguide, CPR159

GERLING

Model GA2205

Specifications:

Waveguide	WR159
Flange	CPR159F (UG-1731/U)
VSWR	1.02 max.
Insertion Loss	.01 dB/ft max.
Length A (min/max)	1.75 (44,4); 48.00 (1219)
Material	6061-T6 aluminum
Construction	Dip braze per AWS C3.7M/C3.7:2005, Class B
Finish	Clear chemical film per MIL-DTL-5541F, Type II, Class 3

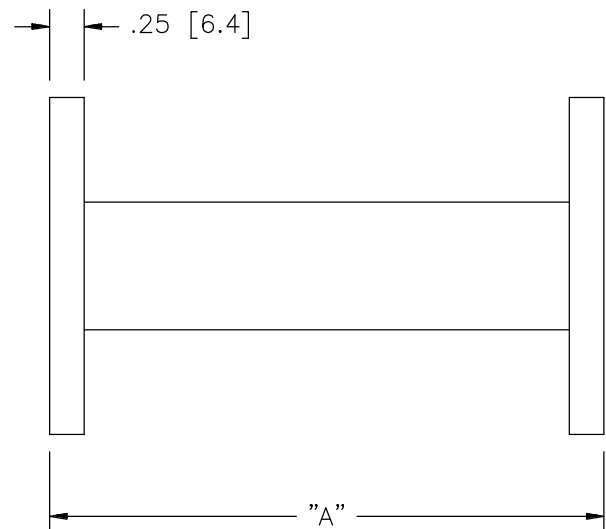
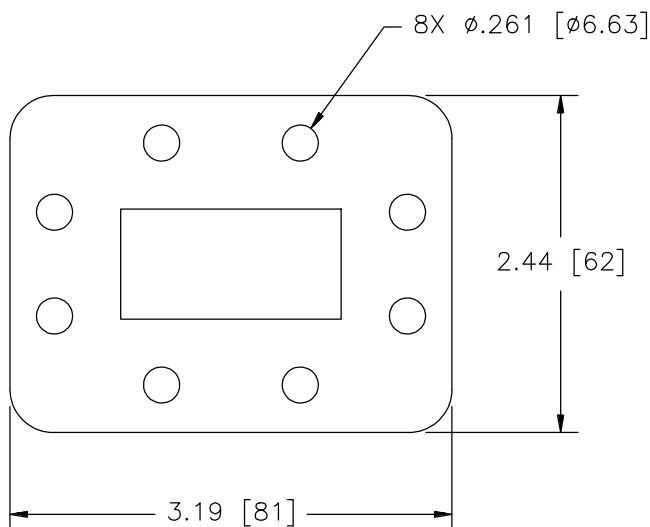
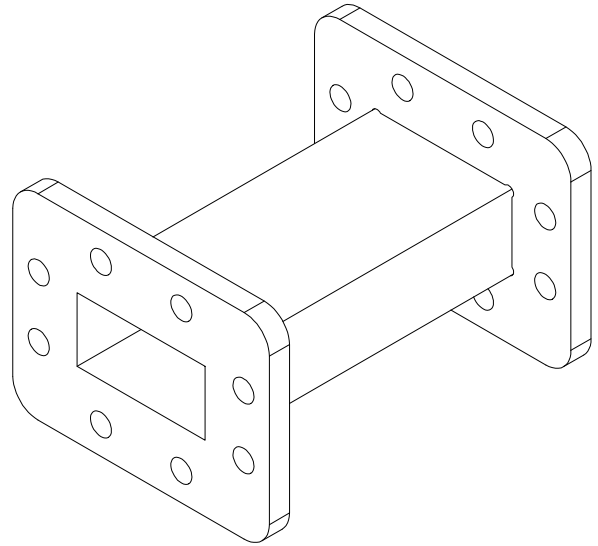
Options:

- ◆ Flange interlock switches
- ◆ Alternate finish

Ordering Information:

Model Number Format: **GA2205-X.XX**
X.XX = "A" dimension (inches)

Example: **GA2205-12.00** designates a 12" long section of WR159 rigid waveguide



GERLING APPLIED
ENGINEERING, INC.

© 2011 Gerling Applied Engineering, Inc.
PO Box 580816 ▪ Modesto, CA 95358 ▪ USA
Phone: +1-209-527-8960 ▪ Fax: +1-209-527-5385
E-mail: sales@2450MHz.com ▪ Web: www.2450MHz.com