

90° Elbow, EIA 1-5/8 Coax

GERLING

Model GA2326

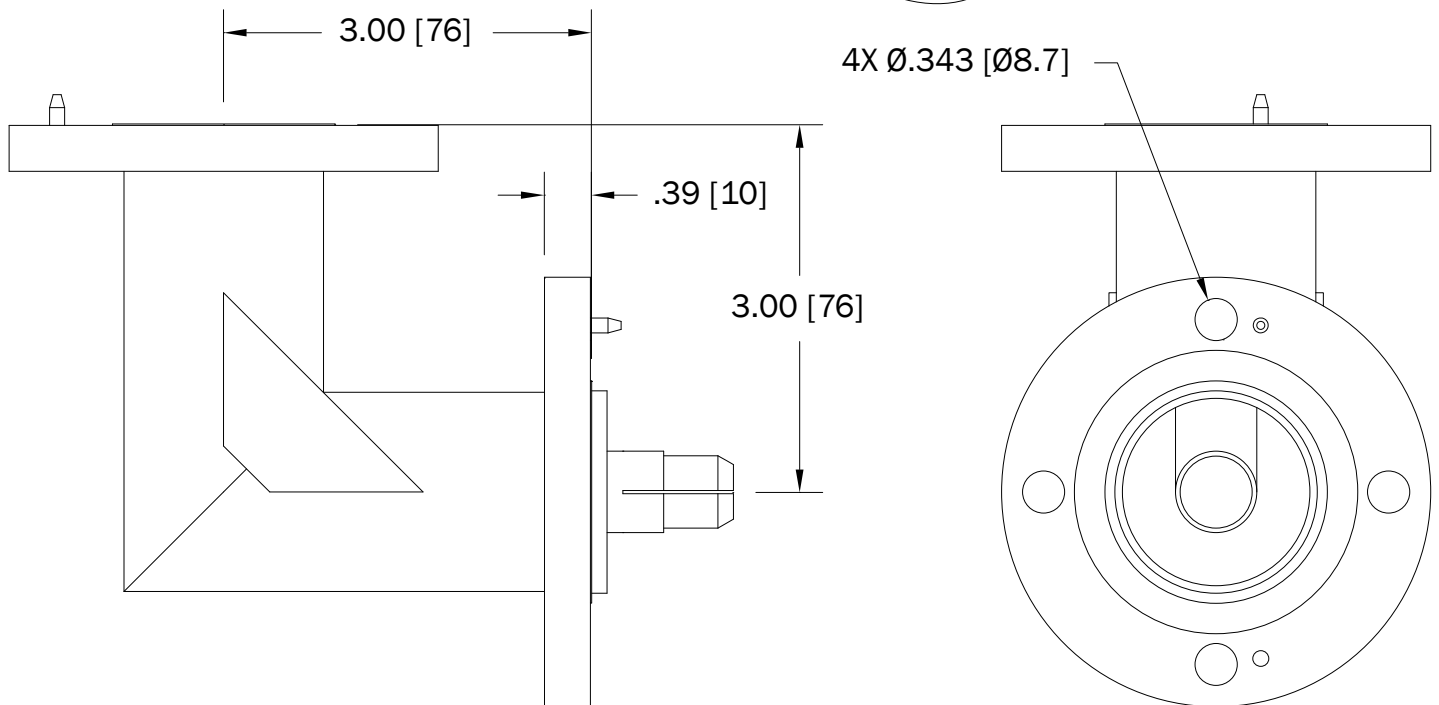
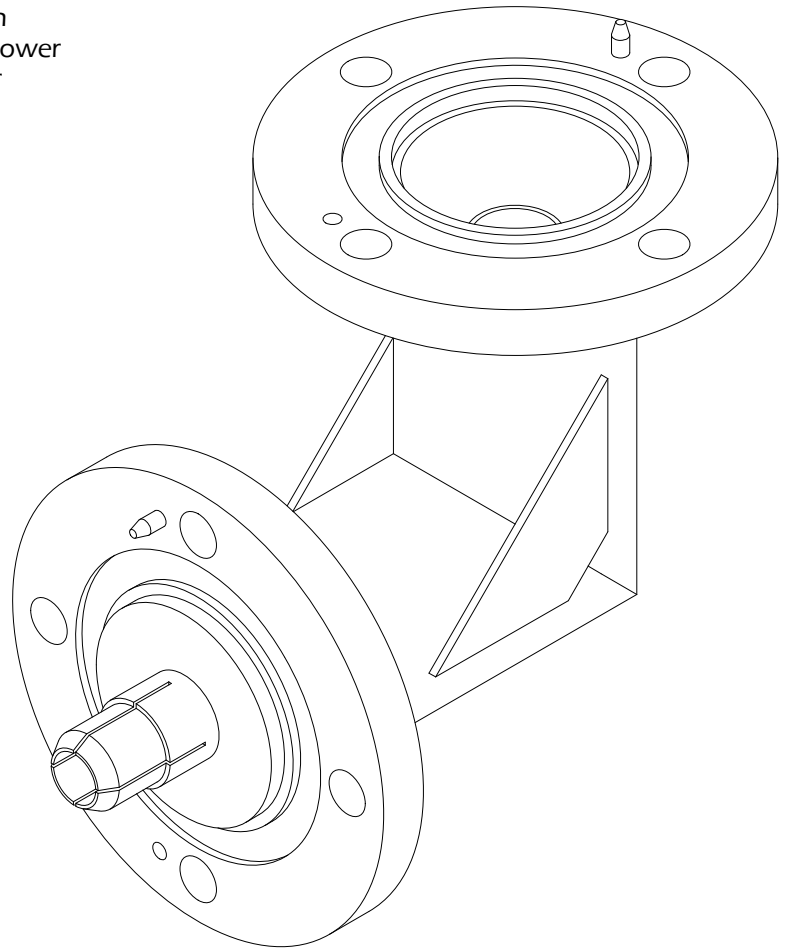
The GA2326 coaxial elbow is a standard coaxial transmission line component intended for industrial microwave heating applications. Swivel flanges at both ends provide flexibility in configuring the microwave power transmission components in a system layout. The inner connector and fasteners are included for one flange.

Specifications:

| | |
|--------------------|---|
| Flange | EIA 1-5/8 Coax, Swivel |
| Power (continuous) | 915 MHz: 5 kW max. 2450 MHz: 3 kW max. (output to matched load) |
| VSWR | 1.10 (max.) |
| Insertion Loss | .02 dB (max.) |
| Material | Copper/brass |
| Construction | Brazed |

Options:

- ◆ Alternate lengths
- ◆ Flange studs and/or threaded inserts
- ◆ Flange interlock switch
- ◆ Fixed flanges



GERLING APPLIED
ENGINEERING, INC.

© 2015 Gerling Applied Engineering, Inc.
PO Box 580816 ▪ Modesto, CA 95358 ▪ USA
Phone: +1-209-527-8960 ▪ Fax: +1-209-527-5385
E-mail: sales@2450MHz.com ▪ Web: www.2450MHz.com