

90° H-Plane Bend, Swept, WR340

GERLING

Model GA2328

Specifications:

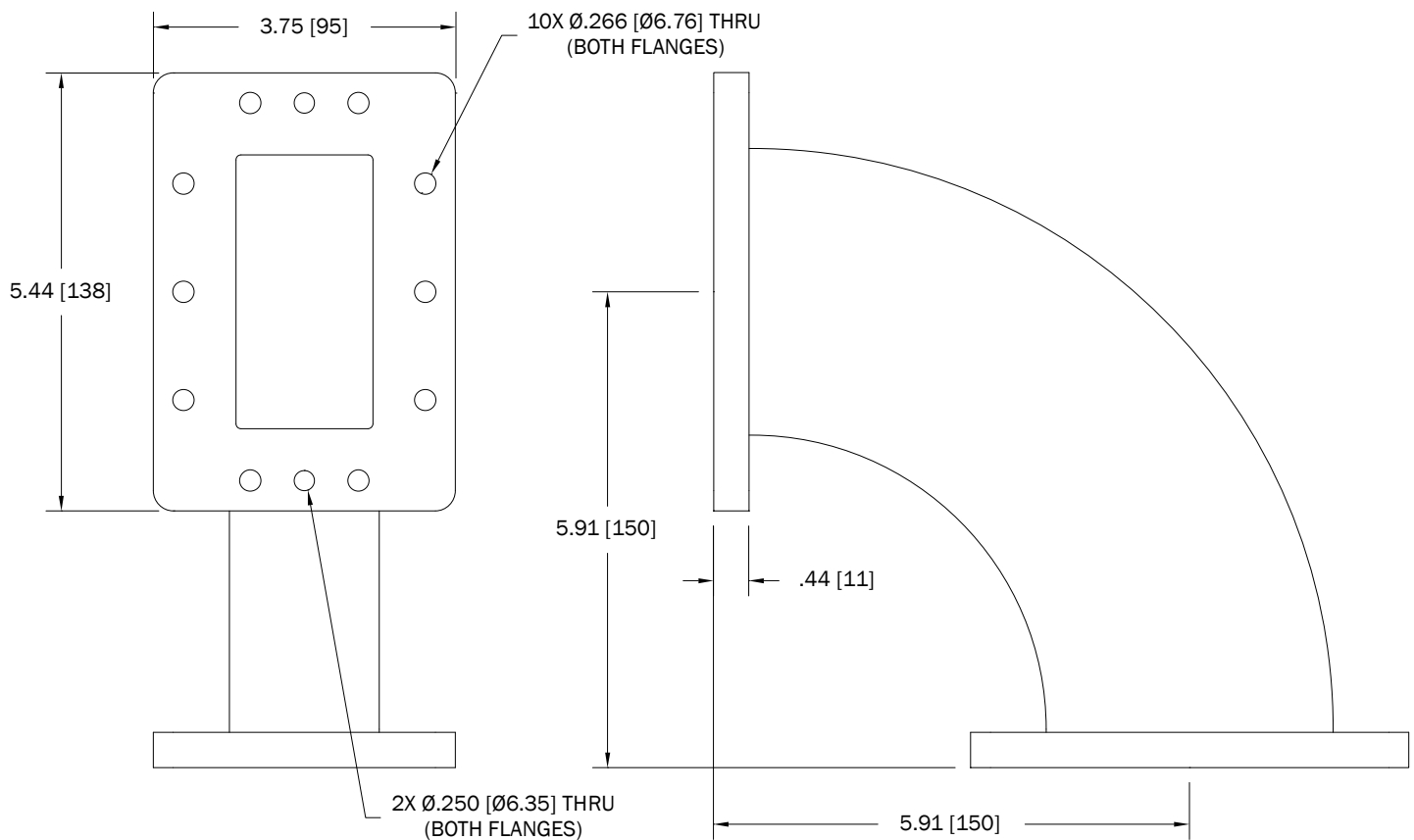
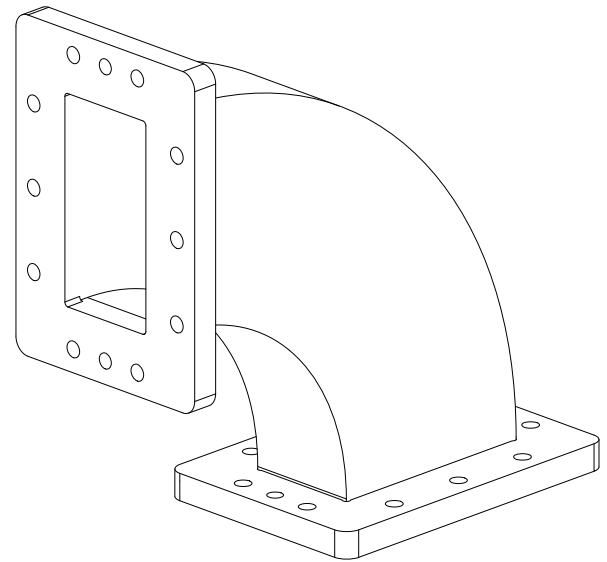
Waveguide:	WR340
Flange:	CPR340F (UG1713/U)
Material:	6061-T6 Aluminum
Construction:	Dip brazed aluminum
Finish:	Clear chemical film (Alodine)
VSWR:	1.10 (max.)
Insertion Loss:	.02 dB (max.)

Options:

- ◆ Threaded studs (SAE or metric)
- ◆ Flange interlock switches
- ◆ Alternate finish (paint)
- ◆ Alternate materials (brass/copper)

Accessories:

- ◆ Flange hardware kit, model GA8409 (please specify type and length)
- ◆ Flange bolt interlock, model GA8408



GERLING APPLIED
ENGINEERING, INC.
(a Muegge GmbH company)

© 2015 Gerling Applied Engineering, Inc.
PO Box 580816 • Modesto, CA 95358 • USA
Phone: +1-209-527-8960 • Fax: +1-209-527-5385
E-mail: sales@2450MHz.com • Web: www.2450MHz.com