

Flange Adapter, WR340 to Q-D Round, Thru Holes

GERLING

Model GA2407

A popular feature of many GAE standard products is the quick-disconnect (Q-D) flange used on WR284 waveguide components that utilizes a single screw clamp (GAE model GA8410) to enable rapid assembly and disassembly of waveguide component setups.

Model GA2407 provides the same convenience with WR340 components by adapting standard WR340 flanges to a similar quick-disconnect style flange.

Model GA2407 has threaded inserts for mating to standard WR340 waveguide flanges (UG554/U) having either tapped or clearance bolt holes. The GA2407 is a high quality, precision machined component for enhanced performance and durability.

NOTE: Model GA2407 is not compatible with model GA2401 flange adapter. It is compatible with model GA2408 flange adapter (with tapped holes).

General Specifications:

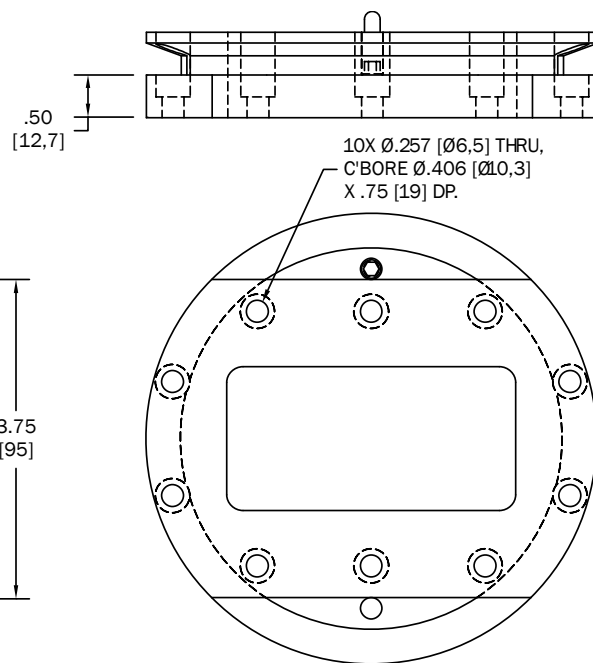
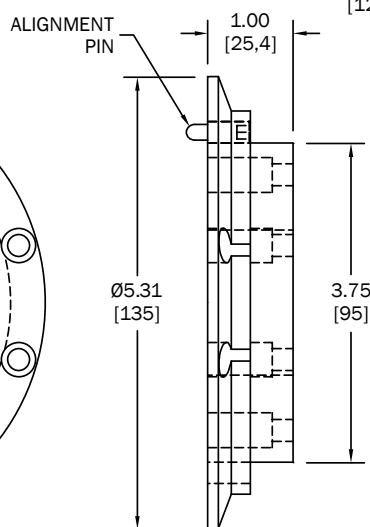
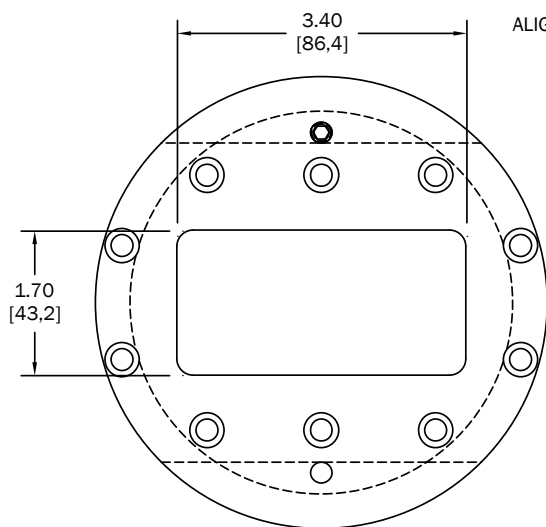
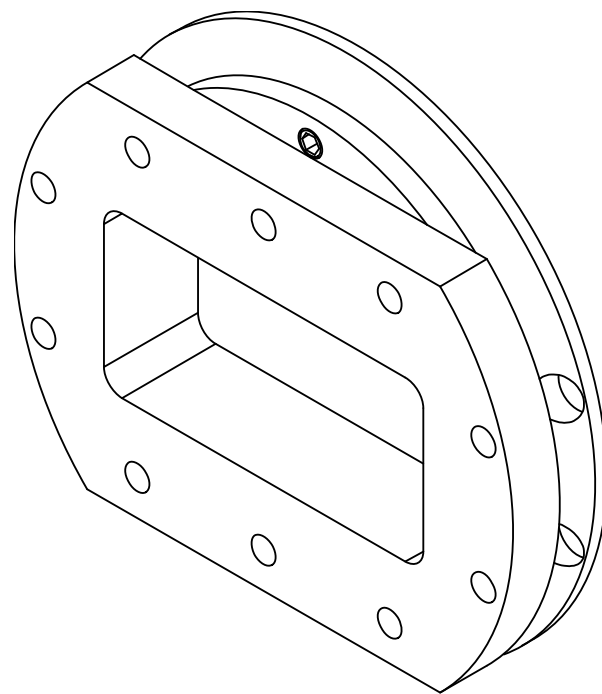
Frequency	2450 MHz nominal
Waveguide	WR340 (RG113/U)
Port 1 Flange	WR340 (UG1713/U compatible)
Port 2 Flange	WR340 Q-D
Input VSWR	1.02 max.
Insertion Loss	.01 dB max.
Construction	Aluminum
Finish	Clear chemical film

Options:

- ◆ Threaded studs or alternate thread size
- ◆ Interlock switch
- ◆ Alternate finish

Accessories:

- ◆ Model GA8410 quick release flange clamp



GERLING APPLIED
ENGINEERING, INC.

© 2010-2014 Gerling Applied Engineering, Inc.
PO Box 580816 • Modesto, CA 95358 • USA
Phone: +1-209-527-8960 • Fax: +1-209-527-5385
E-mail: sales@2450MHz.com • Web: www.2450MHz.com