

Single Power Monitor, CPRR284

GERLING

Model GA3001

The model GA3001 Single Power Monitor provides a low cost and convenient means to measure the level of microwave power flowing in both directions in WR284 waveguide. Microwave power is displayed by a large analog meter enclosed in an attractive case suitable for both laboratory and industrial applications.

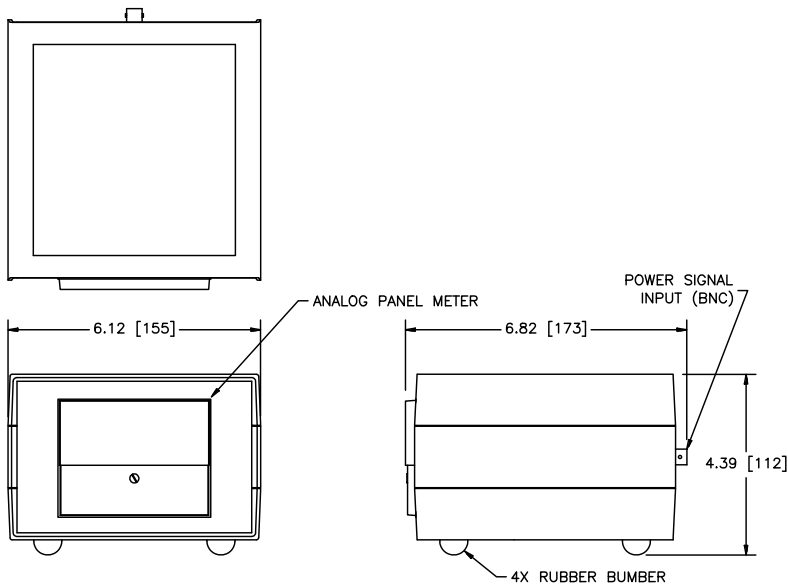
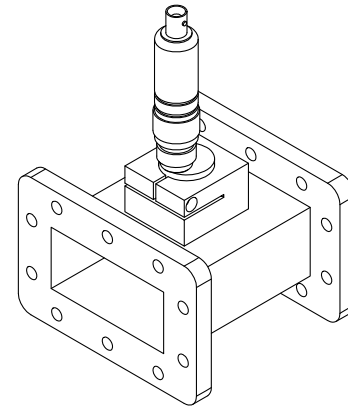
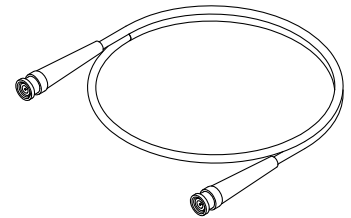
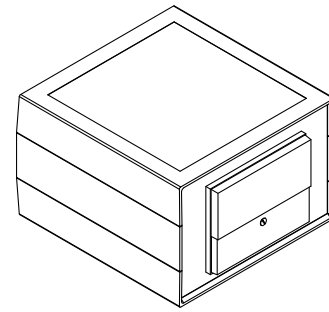
The heart of the GA3001 is the model GA3101 Dual Directional Coupler, part of the compact, high performance WaveProbe™ family of waveguide couplers. A crystal detector converts the coupler output RF signal to a DC voltage which is delivered to the analog meter via an RG-58/U coaxial cable.

Specifications:

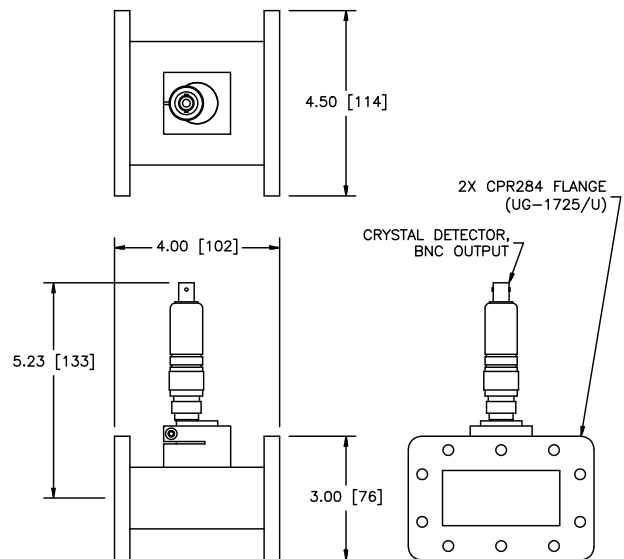
Waveguide	WR284
Flange	CPR284F (UG-1725/U)
Frequency	2450 MHz +/- 50 MHz
Power (continuous)	6 kW maximum
Meter Scale	GA3001-1A: 1.2 kW; GA3001-2A: 1.8 kW GA3001-3A: 3 kW; GA3001-4A: 700 W GA3001-6: 6 kW
Accuracy	+/- 5% of full scale @ 25°C
Coupler Directivity	25 dB minimum
Cables	RG-58/U, BNC male connectors, 6' long

Options:

- ◆ Alternate meter scale
- ◆ Flange interlock switches
- ◆ GA3214 digital meter with analog voltage output (add "D" in place of dash number suffix)



SINGLE METER CASE



SINGLE DIRECTIONAL COUPLER



GERLING APPLIED
ENGINEERING, INC.

© 2004-2014 Gerling Applied Engineering, Inc.
PO Box 580816 • Modesto, CA 95358 • USA
Phone: +1-209-527-8960 • Fax: +1-209-527-5385
E-mail: sales@2450MHz.com • Web: www.2450MHz.com