

# Dual Power Monitor, CPR284

GERLING

## Model GA3002

The model GA3002 Dual Power Monitors provide a low cost and convenient means to measure the level of microwave power flowing in both directions in WR284 waveguide. Microwave power is displayed by large analog meters enclosed in an attractive case suitable for both laboratory and industrial applications.

The heart of the GA3002 is the model GA3102 Dual Directional Coupler, part of the compact, high performance WaveProbe™ family of waveguide couplers. Crystal detectors convert the coupler output RF signals to DC voltages which are delivered to the analog meters via RG-58/U coaxial cables.

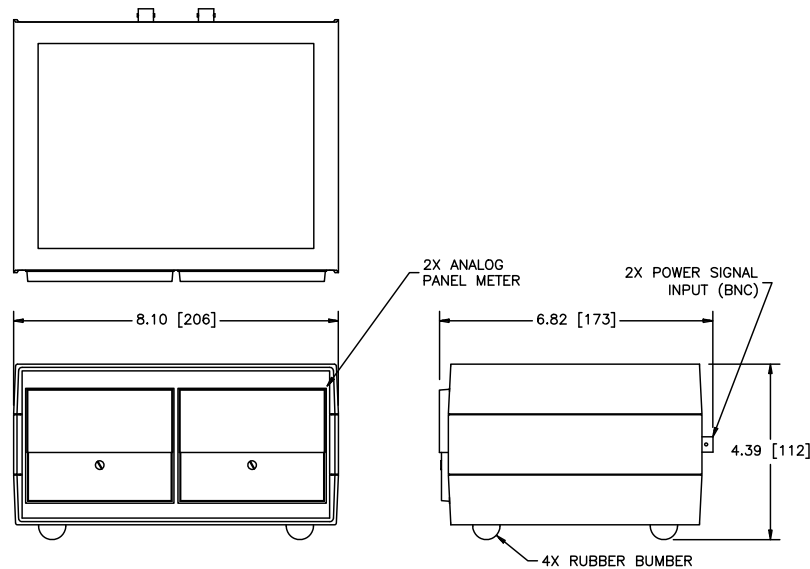
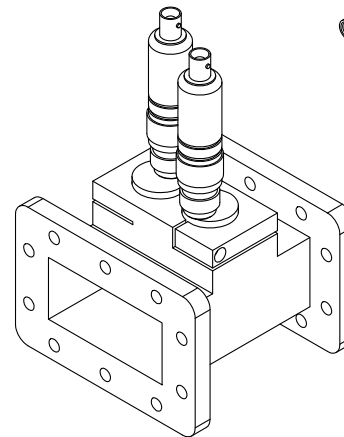
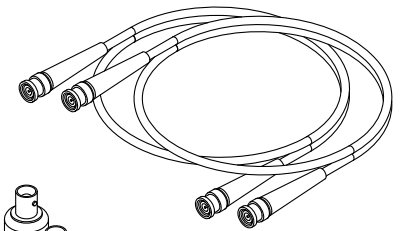
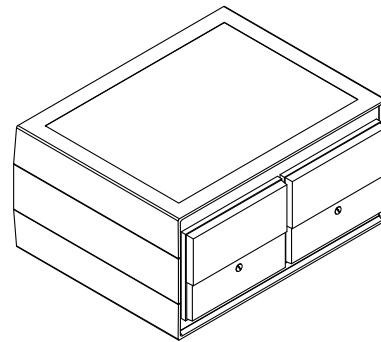
The waveguide coupler features the popular Q-D (quick-disconnect) round flange that uses a single screw clamp (Model GA8410) for waveguide connections.

### Specifications:

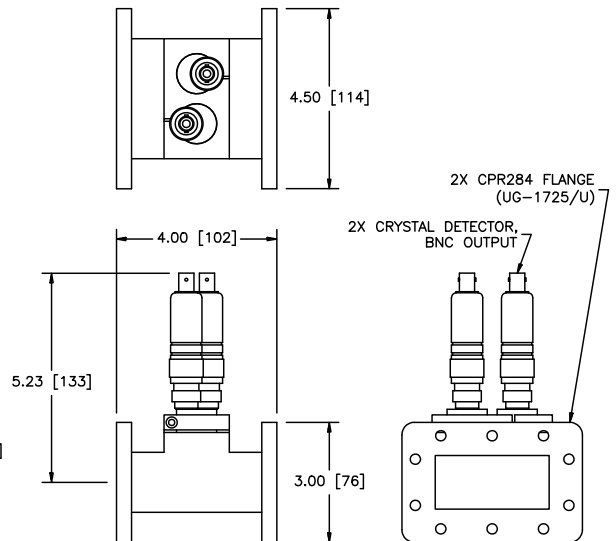
Waveguide	WR284
Flange	CPR284F (UG-1725/U)
Frequency	2450 MHz +/- 50 MHz
Power (continuous)	6 kW maximum
Meter Scale (both)	GA3002-1A: 1.2 kW; GA3002-2A: 1.8 kW GA3002-3A: 3 kW; GA3002-4A: 700 W GA3002-6: 6 kW
Accuracy	+/- 5% of full scale @ 25°C
Coupler Directivity	25 dB minimum
Cables	RG-58/U, BNC male connectors, 6' long

### Options:

- ◆ Alternate meter scales
- ◆ Flange interlock switches
- ◆ GA3213 digital meters with analog voltage output (add "D" in place of dash number suffix)



DUAL METER CASE



DUAL DIRECTIONAL WAVEGUIDE COUPLER



GERLING APPLIED  
ENGINEERING, INC.

© 2004-2014 Gerling Applied Engineering, Inc.  
PO Box 580816 • Modesto, CA 95358 • USA  
Phone: +1-209-527-8960 • Fax: +1-209-527-5385  
E-mail: sales@2450MHz.com • Web: www.2450MHz.com