

# Dummy Load Power Monitor, CPR284

GERLING

## Model GA3006

The model GA3006 Dummy Load Power Monitor was designed to provide a convenient and low cost means to measure the level of reverse microwave power in WR284 waveguide when used in conjunction with a typical 3-port circulator. Microwave power is displayed by a large analog meter enclosed in an attractive case suitable for both laboratory and industrial applications.

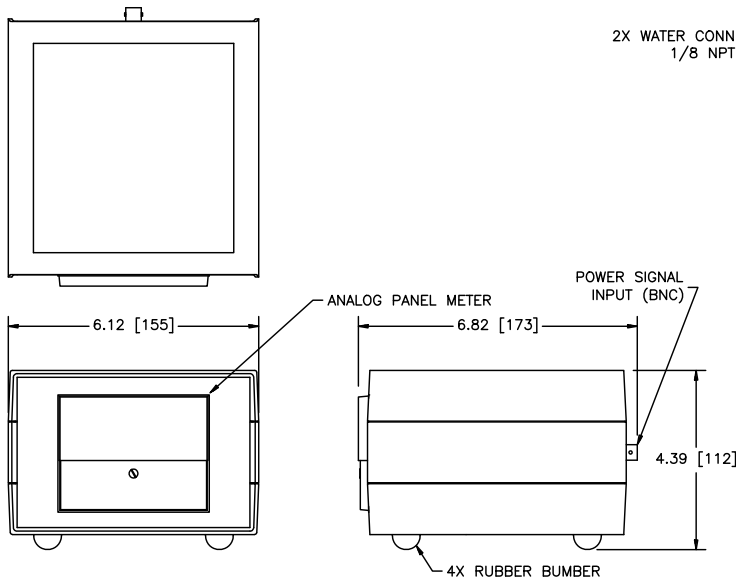
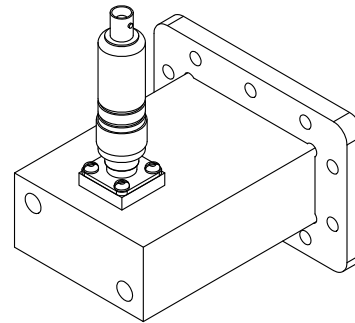
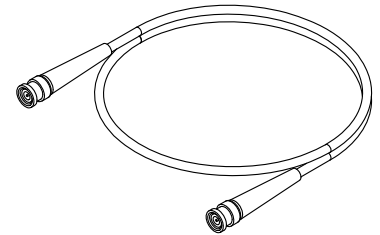
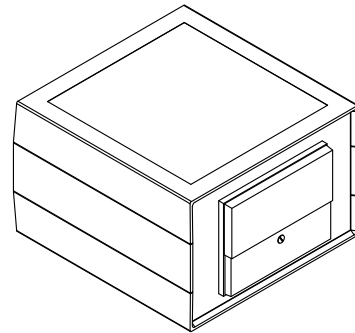
The heart of the GA3006 is the model GA1210 Dummy Load Coupler which combines GAE's standard compact dummy load design with a power coupler probe. A crystal detector converts the coupler output RF signal to a DC voltage which is then delivered to the analog meter via an RG-58/U coaxial cable.

### Specifications:

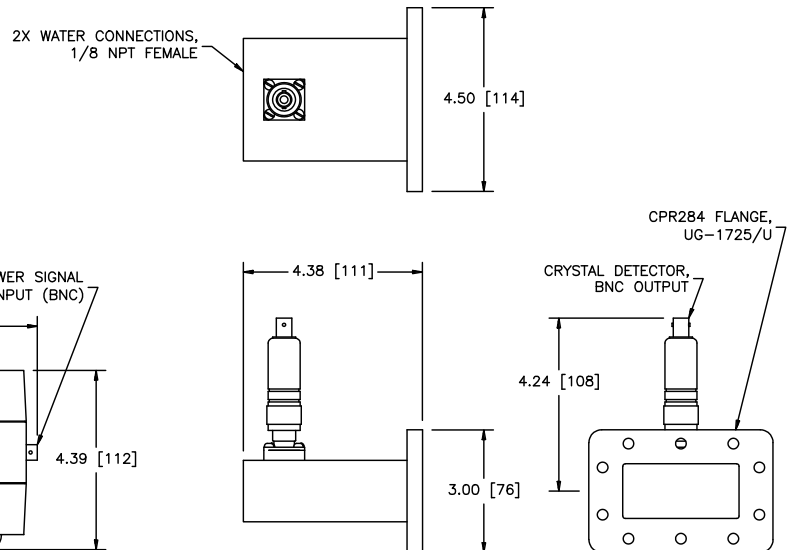
Waveguide	WR284
Flange	CPR284F (UG-1725/U)
Frequency	2450 MHz +/- 50 MHz
Power (continuous)	3 kW maximum
Meter Scale	GA3006-1A: 1.2 kW; GA3006-2A: 1.8 kW GA3006-3A: 3 kW; GA3006-4A: 700 W
Accuracy	+/- 5% of full scale @ 25°C
Return Loss	23 dB nominal
Water Connections	1/8 NPT Female
Water Flow	0.5 gpm min. at full input power, 70 psi max., 50°C max.
Cable	RG-58/U, BNC male connectors, 6' long

### Options:

- ◆ Alternate meter scale
- ◆ Flange interlock switches
- ◆ GA3214 digital meter with analog voltage output (add "D" in place of dash number suffix)



METER CASE



DUMMY LOAD COUPLER



GERLING APPLIED  
ENGINEERING, INC.

© 2004-2014 Gerling Applied Engineering, Inc.  
PO Box 580816 • Modesto, CA 95358 • USA  
Phone: +1-209-527-8960 • Fax: +1-209-527-5385  
E-mail: sales@2450MHz.com • Web: www.2450MHz.com