

Single Power Monitor, WR340

GERLING

Model GA3009

The model GA3009 Single Power Monitors provide a low cost and convenient means to measure the level of microwave power flowing in both directions in WR340 waveguide. Microwave power is displayed by large analog meters enclosed in an attractive case suitable for both laboratory and industrial applications.

The heart of the GA3009 is the model GA3108 Single Directional Coupler, part of the compact, high performance WaveProbe™ family of waveguide couplers. A crystal detector converts the coupler output RF signal to a DC voltage which is delivered to the analog meters via an RG-58/U coaxial cable.

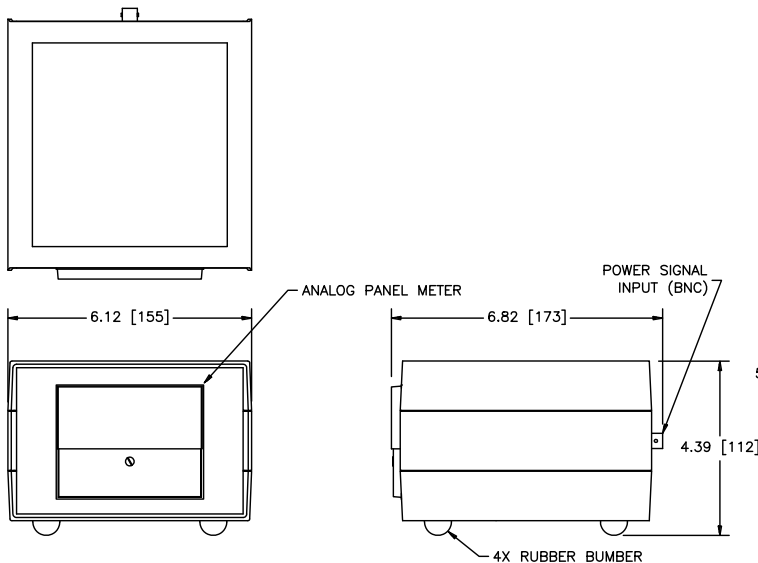
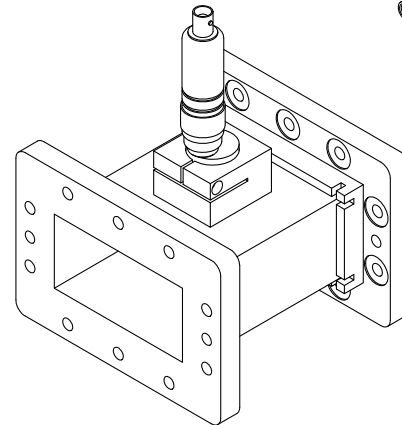
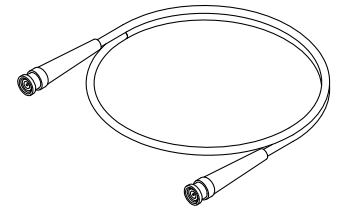
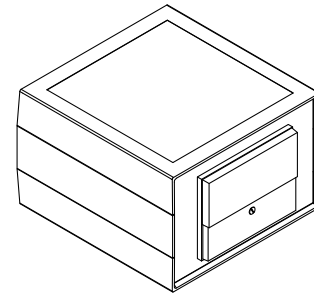
The GA3009 is calibrated as a complete set for the specific type of waveform delivered by the microwave generator. Please specify the waveform type ("pulsed" and "CW" are standard options) when ordering.

Specifications:

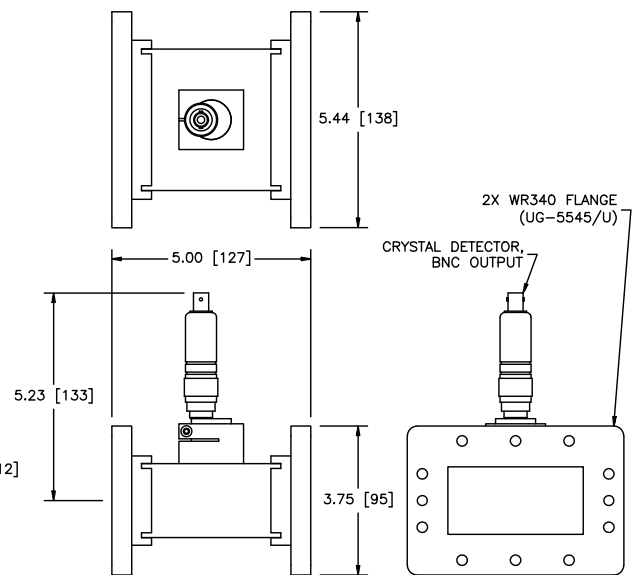
Waveguide	WR340
Flange	UG554/U
Frequency	2450 MHz +/- 50 MHz
Power (continuous)	10 kW maximum
Meter Scale	GA3009-1A: 1.2 kW; GA3009-2A: 1.8 kW GA3009-3A: 3 kW; GA3009-4A: 700 W
Accuracy	+/- 5% of full scale @ 25°C
Coupler Directivity	25 dB minimum
Cable	RG-58/U, BNC male connectors, 6' long

Options:

- ◆ Alternate meter scale
- ◆ Flange interlock switches
- ◆ GA3214 digital meter with analog voltage output (add "D" in place of dash number suffix)



SINGLE METER CASE



SINGLE DIRECTIONAL COUPLER



GERLING APPLIED
ENGINEERING, INC.

© 2004-2014 Gerling Applied Engineering, Inc.
PO Box 580816 • Modesto, CA 95358 • USA
Phone: +1-209-527-8960 • Fax: +1-209-527-5385
E-mail: sales@2450MHz.com • Web: www.2450MHz.com