

Dual Directional Coupler, WR284

GERLING

Model GA3102 Model GA3104

The GA3102 and GA3104 Dual Directional Waveguide Couplers are part of the WaveProbe™ family of waveguide couplers that offer high performance microwave power monitoring in a small package. The WaveProbe™ secret to accurate and reliable waveguide power measurement is in the design of the probe itself. Utilizing a common loop type design, the probe terminates in a proprietary RF resistor configuration that provides excellent directivity and a stable coupling factor.

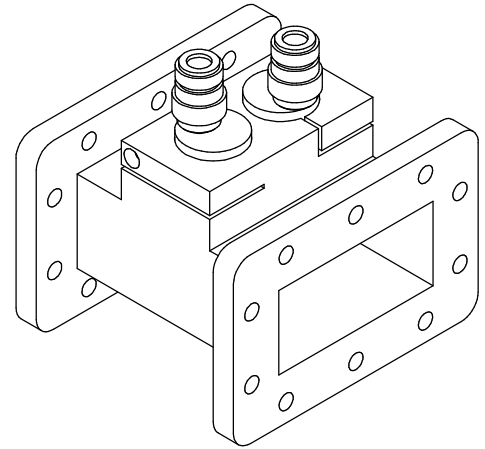
Model GA3104 features the popular WR284 Q-D (quick-disconnect) round flange that can be used with a quick-release clamp (Model GA8410) for waveguide connections.

Specifications:

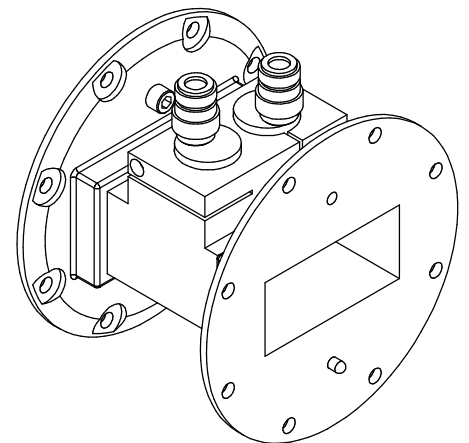
Waveguide	WR284
Flange	GA3102: CPR (UG1725/U) GA3104: Q-D Round (UG584/U)
Frequency	2450 MHz +/- 50 MHz
Power (continuous)	6 kW
Coupling Factor	60 dB nominal; measured and indicated to within +/- 0.2 dB
Directivity	25 dB minimum
Output Connector	Type N female
Construction	Aluminum waveguide and flanges
Finish	Clear chemical film (Alodine); Black paint

Options:

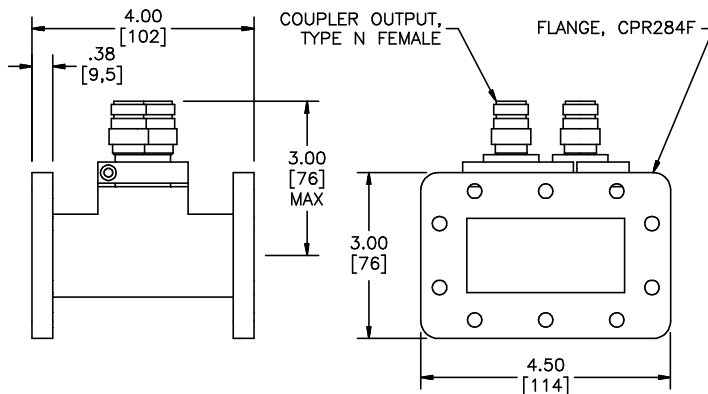
- ◆ Alternate coupling factor
- ◆ Enhanced directivity
- ◆ Heli-Coils or studs on flanges (GA3102 only)
- ◆ Flange interlock switches



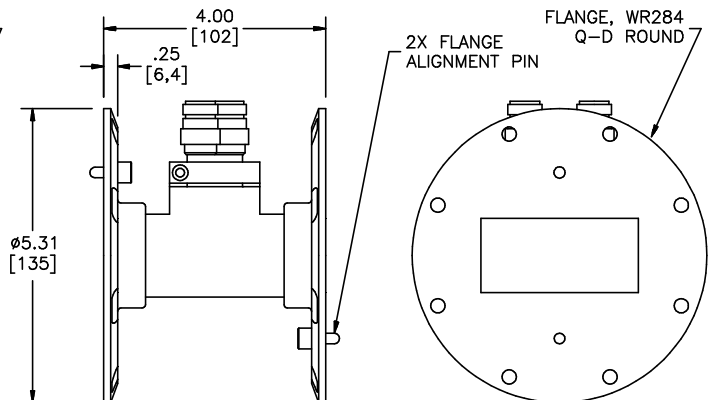
Model GA3102



Model GA3104



MODEL GA3102



MODEL GA3104



GERLING APPLIED
ENGINEERING, INC.

© 2005-2008 Gerling Applied Engineering, Inc.
PO Box 580816 ▪ Modesto, CA 95358 ▪ USA
Phone: +1-209-527-8960 ▪ Fax: +1-209-527-5385
E-mail: sales@2450MHz.com ▪ Web: www.2450MHz.com