

Dual Directional Waveguide Coupler

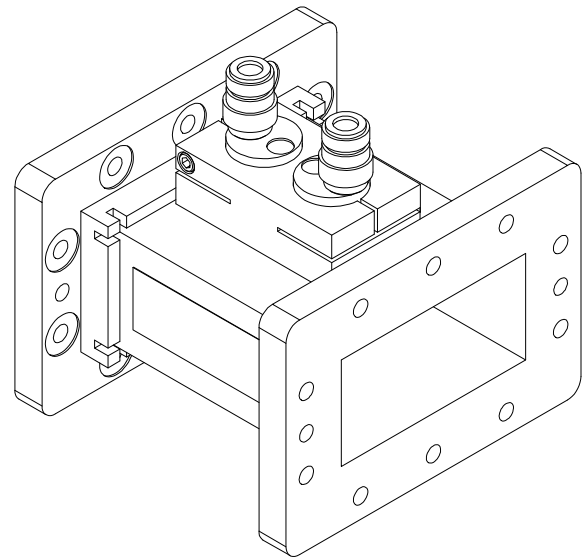
GERLING

Model GA3106
Model GA3107

The GA3106 and GA3107 Dual Directional Waveguide Couplers are part of the WaveProbe™ family of waveguide couplers that offer high performance microwave power monitoring in a small package. The WaveProbe™ secret to accurate and reliable waveguide power measurement is in the design of the probe itself. Utilizing a common loop type design, the probe terminates in a proprietary RF resistor configuration that provides excellent directivity and a stable coupling factor.

Specifications:

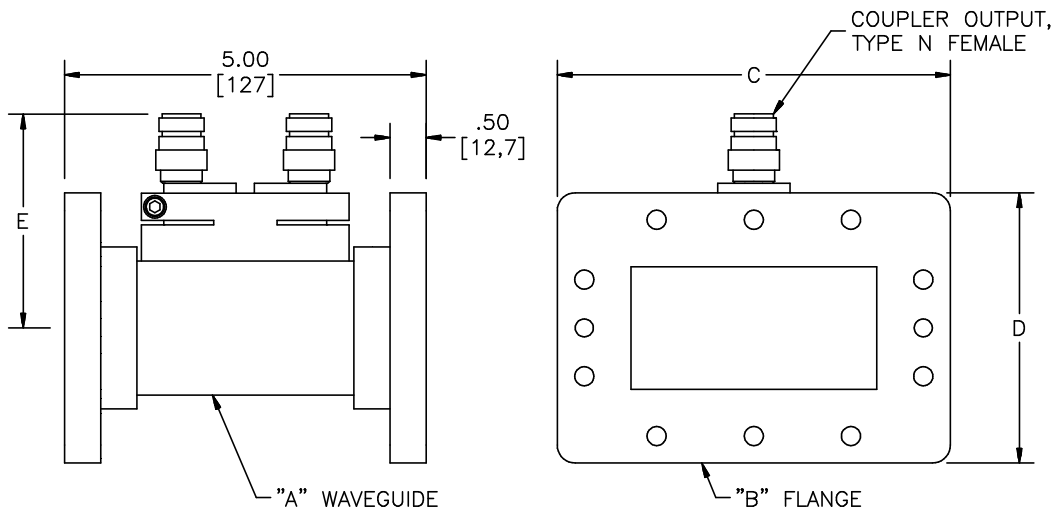
Waveguide	GA3106: WR340 (RG113/U) GA3107: WR430 (RG105/U)
Flange	GA3106: UG554/U GA3107: UG437B/U
Frequency	2450 MHz +/- 50 MHz
Power (continuous)	15 kW (GA3106); 30 kW (GA3107)
Coupling Factor	60 dB nominal @ 2.45 GHz; measured and indicated to within +/- 0.2 dB
Directivity	23 dB minimum
Output Connector	Type N female
Construction	Dip brazed aluminum waveguide and flanges
Finish	Clear chemical film (Alodine); Black paint



Model GA3106

Options:

- ◆ Alternate flange-flange length (5" minimum)
- ◆ Alternate coupling factor
- ◆ Enhanced directivity
- ◆ Heli-Coils or studs on flanges (any combination)
- ◆ Tapered round flanges for quick-disconnect clamp (WR340 only)
- ◆ Flange interlock switches



DIM	GA3106	GA3107
A	WR340	WR430
B	UG554/U	UG437B/U
C	5.44 [138]	6.34 [161]
D	3.75 [95]	4.19 [106]
E	3.00 [76] MAX	3.25 [83] MAX



**GERLING APPLIED
ENGINEERING, INC.**

© 2005 Gerling Applied Engineering, Inc.
PO Box 580816 ▪ Modesto, CA 95358 ▪ USA
Phone: +1-209-527-8960 ▪ Fax: +1-209-527-5385
E-mail: sales@2450MHz.com ▪ Web: www.2450MHz.com