

# Single Directional Waveguide Coupler

GERLING

**Model GA3108**  
**Model GA3109**

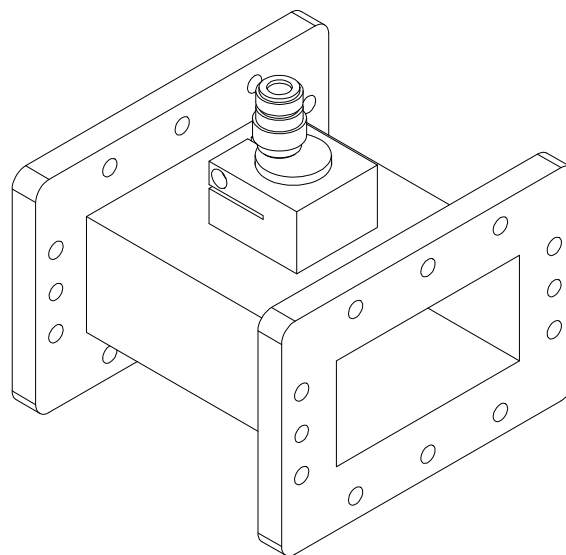
The GA3108 and GA3109 Single Directional Waveguide Couplers are part of the WaveProbe™ family of waveguide couplers that offer high performance microwave power monitoring in a small package. The WaveProbe™ secret to accurate and reliable waveguide power measurement is in the design of the probe itself. Utilizing a common loop type design, the probe terminates in a proprietary RF resistor configuration that provides excellent directivity and a stable coupling factor.

### Specifications:

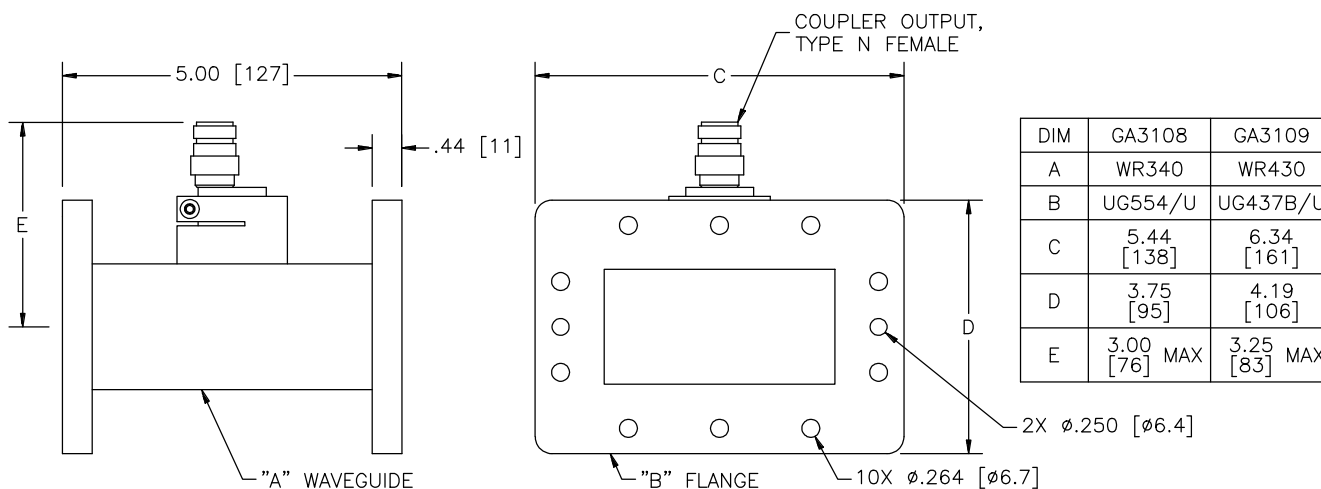
Waveguide	GA3108: WR340 (RG113/U) GA3109: WR430 (RG105/U)
Flange	GA3108: UG554/U GA3109: UG437B/U
Frequency	2450 MHz +/- 50 MHz
Power (continuous)	15 kW (GA3108); 30 kW (GA3109)
Coupling Factor	60 dB nominal @ 2.45 GHz; measured and indicated to within +/- 0.2 dB
Directivity	23 dB minimum
Output Connector	Type N female
Construction	Dip brazed aluminum waveguide and flanges
Finish	Clear chemical film (Alodine); Black paint

### Options:

- ◆ Alternate flange-flange length (5" minimum)
- ◆ Alternate coupling factor
- ◆ Enhanced directivity
- ◆ Heli-Coils or studs on flanges (any combination)
- ◆ Tapered round flanges for quick-disconnect clamp (WR340 only)
- ◆ Flange interlock switches



**Model GA3108**



**GERLING APPLIED  
ENGINEERING, INC.**

© 2005-2010 Gerling Applied Engineering, Inc.  
PO Box 580816 • Modesto, CA 95358 • USA  
Phone: +1-209-527-8960 • Fax: +1-209-527-5385  
E-mail: sales@2450MHz.com • Web: www.2450MHz.com