

# Directional Waveguide Coupler, 5.8 GHz, CPR159

GERLING

**Model GA3114**  
**Model GA3115**

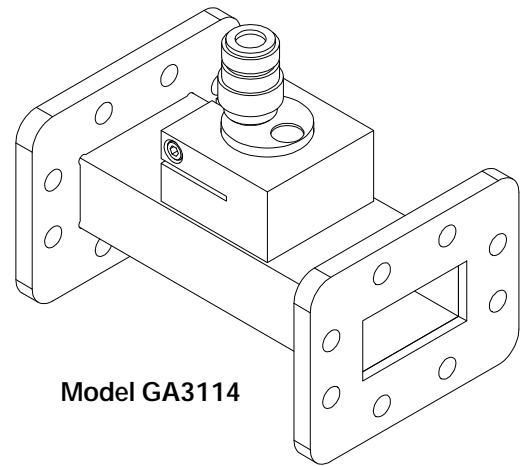
The GA3114 and GA3115 directional couplers are part of the WaveProbe™ family of waveguide couplers offering high performance microwave power monitoring in a small package. The WaveProbe™ secret to accurate and reliable waveguide power measurement is in the design of the probe itself. Utilizing a common loop type design, the probe terminates in a proprietary RF resistor configuration that provides excellent directivity and a stable coupling factor.

**Specifications:**

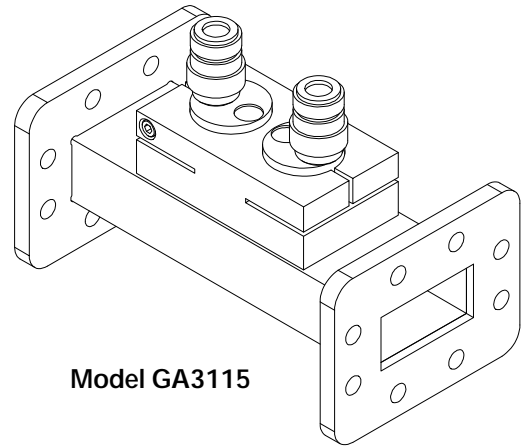
Waveguide	WR159
Flange	CPR159F (UG1731/U)
Frequency	5.8 GHz +/- 75 MHz
Power (continuous)	1 kW
Coupling Factor	60 dB nominal; measured and indicated to within +/- 0.2 dB
Directivity	20 dB minimum
Output Connector	Type N female
Construction	Aluminum waveguide and flanges
Finish	Chemical conversion coating; textured black paint

**Options:**

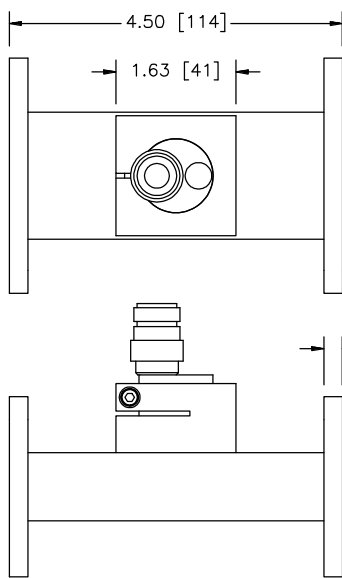
- ◆ Alternate overall length
- ◆ Alternate coupling factor
- ◆ Alternate flange styles
- ◆ Threaded inserts or studs on flanges
- ◆ Flange interlock switches



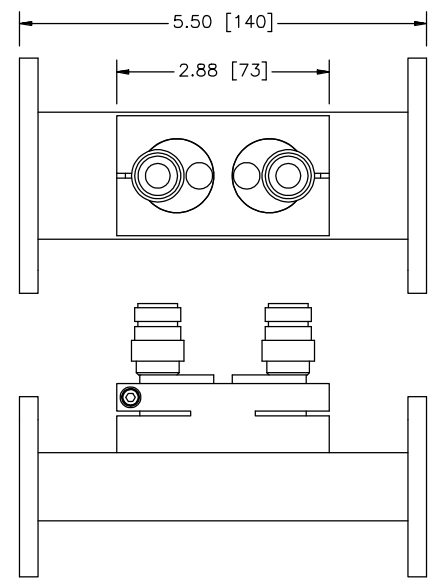
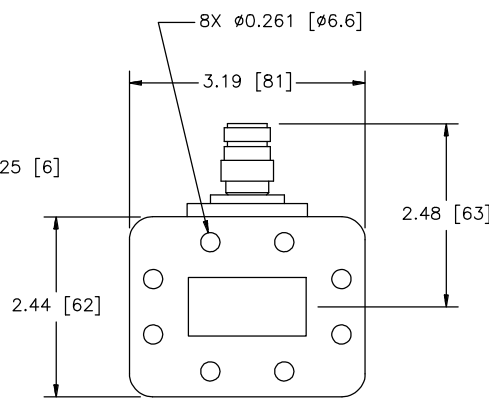
**Model GA3114**



**Model GA3115**



**MODEL GA3114**



**MODEL GA3115**



**GERLING APPLIED ENGINEERING, INC.**

© 2003 Gerling Applied Engineering, Inc.  
PO Box 580816 • Modesto, CA 95358 • USA  
Phone: +1-209-527-8960 • Fax: +1-209-527-5385  
E-mail: sales@5800MHz.com • Web: www.5800MHz.com