

Dual Directional Waveguide Coupler, 915 MHz, WR975

GERLING

Model GA3116

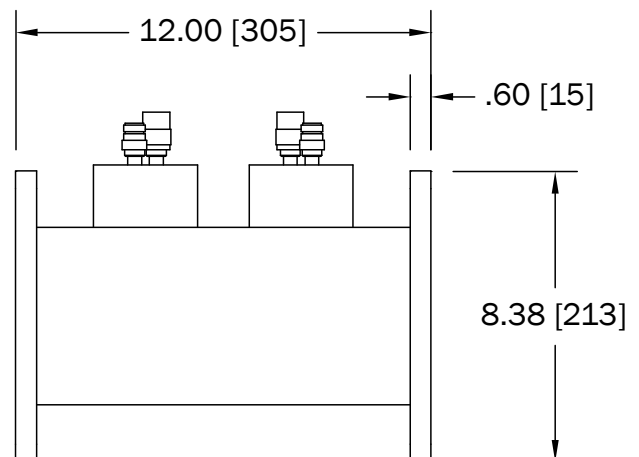
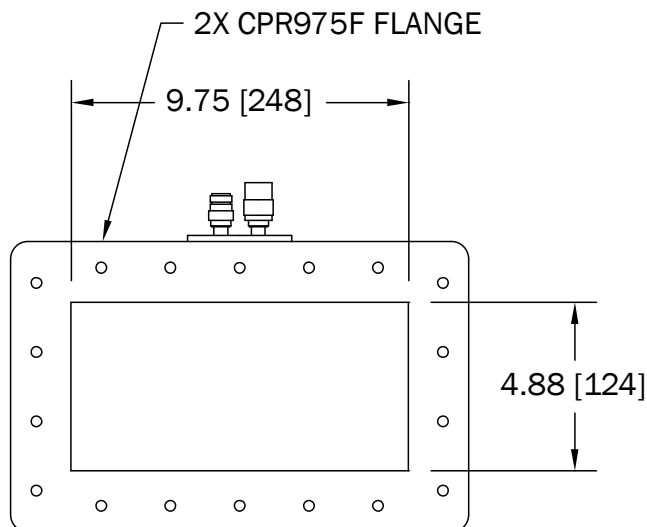
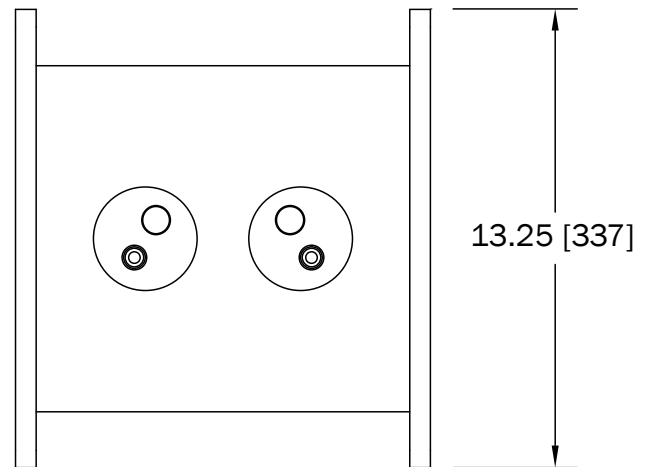
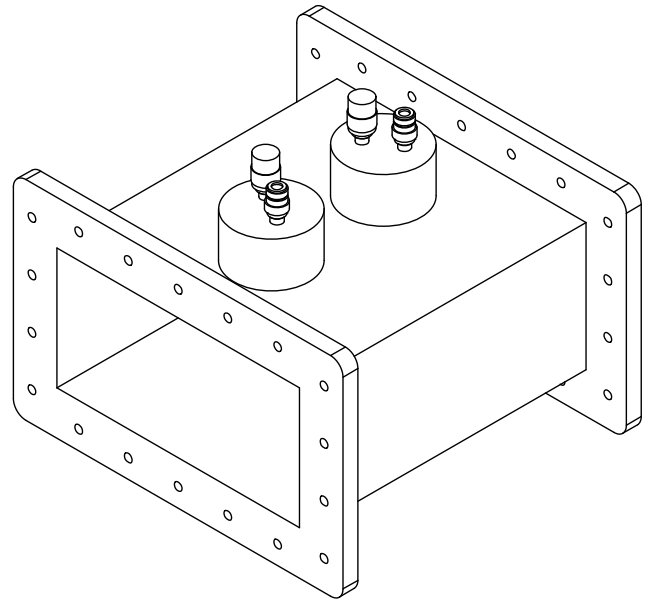
The GA3116 Dual Directional Waveguide Coupler offers high performance microwave power monitoring in the smallest commercially available package. Utilizing a common loop type design, the probe terminates in a proprietary RF resistor configuration that provides excellent directivity and a stable coupling factor across the operating frequency range.

Specifications:

Waveguide	WR975
Flange	CPR975F (Flat)
Frequency	915 MHz +/- 15 MHz
Coupling Factor	60 dB nominal @ 915 MHz; measured and indicated to within +/- 0.2 dB
Directivity	27 dB minimum
Output Connectors	Type N female
Construction	Aluminum
Finish	Chemical conversion coating Grey paint

Options:

- ◆ Alternate coupling factor (40-75 dB)
- ◆ Alternate paint finish



GERLING APPLIED
ENGINEERING, INC.

© 2013 Gerling Applied Engineering, Inc.
PO Box 580816 • Modesto, CA 95358 • USA
Phone: +1-209-527-8960 • Fax: +1-209-527-5385
E-mail: sales@2450MHz.com • Web: www.2450MHz.com