

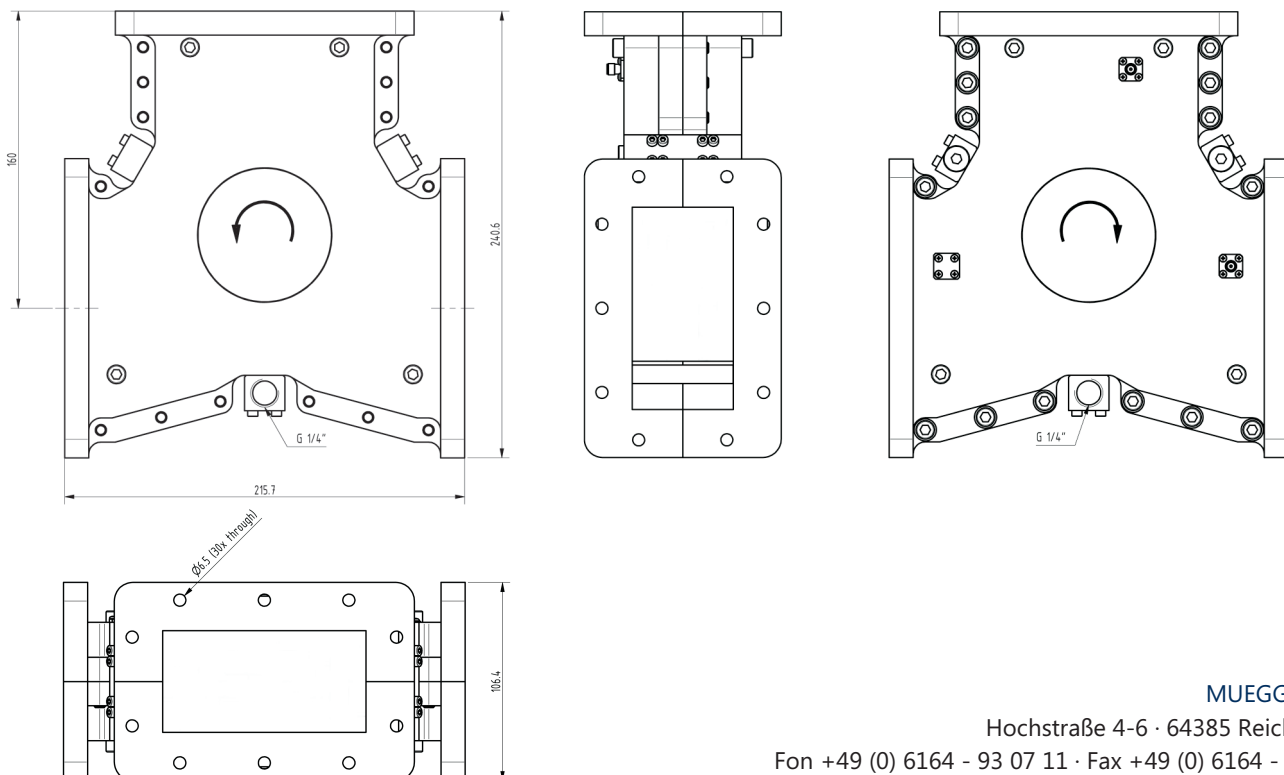
Circulator MW1001B-210DC

Waveguide Components (30 kW / 2450 MHz / WR 430)

Features:

- High power
- High efficiency
- High reliability
- Low insertion loss

Outline Dimensions (mm):



Circulator MW1001B-210DC

Industrial Microwave +
Plasma Systems



Specifications:

Frequency:	2450 MHz +/-25 MHz
VSWR:	Max. 1.15 : 1
Insertion loss:	Max. 0.2 dB
Isolation:	Min. 23 dB
Power (forward):	30 kW cw
Power (reflected):	15 kW cw
Waveguide:	WR 430 (3x)
Water temperature:	+15°C ... +40°C
Water flow:	5 l/min.
Water Connector:	G 1/4" (2x)
Monitors:	SMA (2 x female)
Dimensions:	216 mm x 107 mm x 241 mm