

Industrial Microwave +  
Plasma Systems

**MUEGGE**

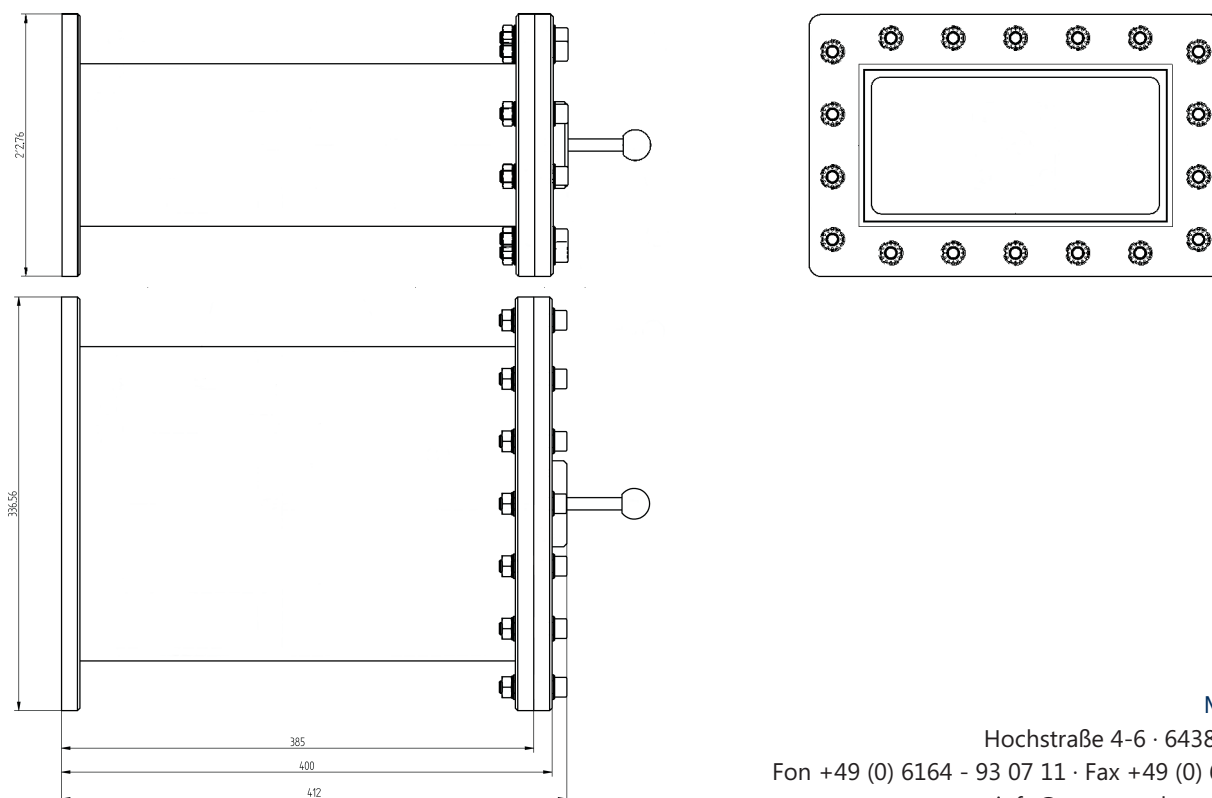
# Adjustable Short MW2030D-230CC

Waveguide Components (915 MHz / WR 975)

## Features:

- Low loss
- Suitable to maximize the coupling of microwave power to the load
- Reduces the return loss
- Knob driven sliding plunger
- Contactless
- High quality waveguide

## Outline Dimensions (mm):



MUEGGE GMBH

Hochstraße 4-6 · 64385 Reichelsheim

Fon +49 (0) 6164 - 93 07 11 · Fax +49 (0) 6164 - 93 07 93

info@muegge.de · www.muegge.de

# Adjustable Short MW2030D-230CC

Industrial Microwave +  
Plasma Systems



## Specifications:

<b>Frequency:</b>	915 MHz +/-25 MHz
<b>Power:</b>	Max. 75 kW
<b>Waveguide:</b>	WR 975
<b>Waveguide Flange:</b>	UDR 9
<b>Weight:</b>	Approx. 20 kg (aluminum)
<b>Adjustment:</b>	Manually operation

## Options:

- Special Flanges
- Finishing (e.g.: chromated, etched, silver plated, painted)
- Material (e.g.: aluminum, copper, brass)