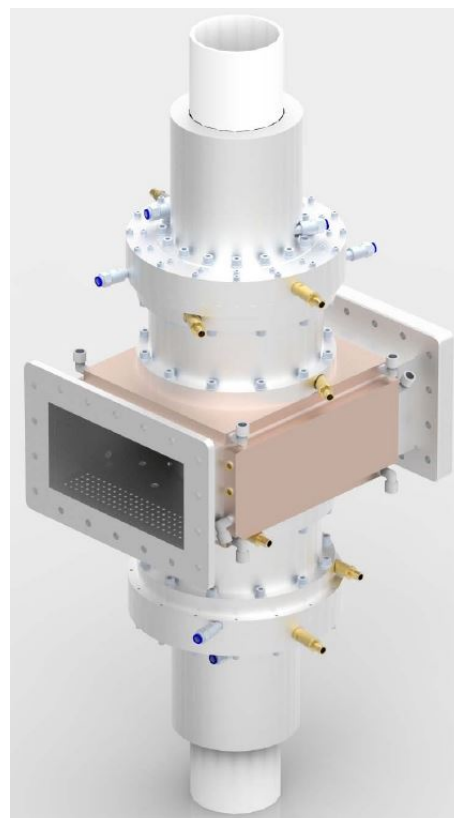
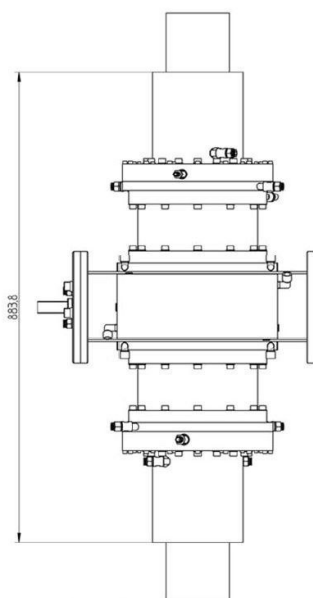


DOWN-STREAM-PLASMA-SOURCE - MA010KD-013BF

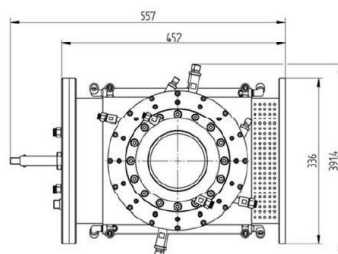
Category: Plasma components



BILDERGALERIE



Outline Dimensions (mm(inch))



Outline Dimensions (mm(inch))

ADDITIONAL INFORMATION

Typ	Down-Stream-Plasma-Source
Process	Gas- /Material Transformation
Output Connection Type	others
Dielectric material	-
Output Power CW [W]	10000
Frequency [MHz]	915
Waveguide size	WR975 / R9
Reactor outlet	-