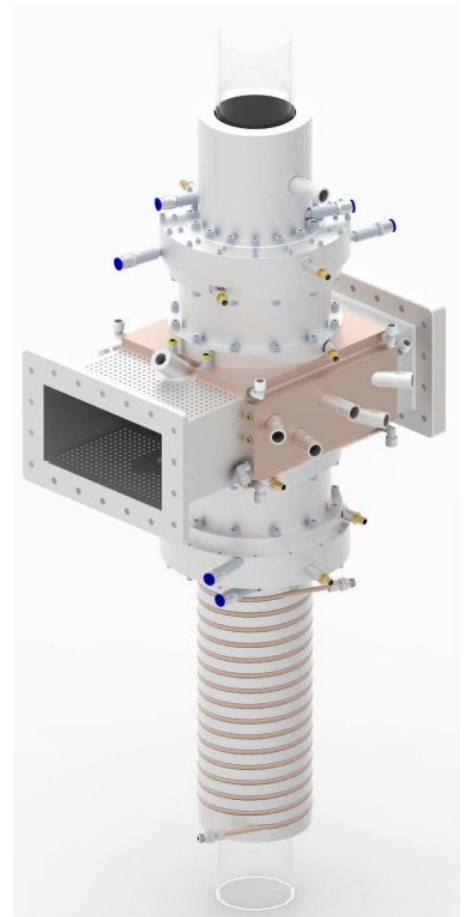
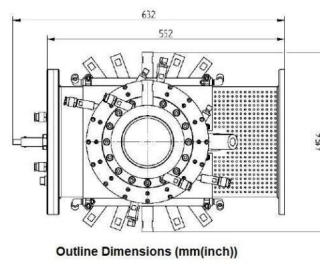
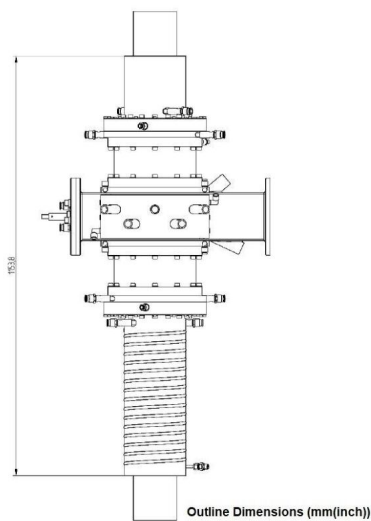


# DOWN-STREAM-PLASMA-SOURCE - MA100KD-013BF

**Category:** Plasma components



## BILDERGALERIE



## ADDITIONAL INFORMATION

<b>Typ</b>	Down-Streem-Plasma-Source
<b>Process</b>	Gas- /Material Transformation
<b>Output Connection Type</b>	others
<b>Dielectric material</b>	-
<b>Output Power CW [W]</b>	100000
<b>Frequency [MHz]</b>	915
<b>Waveguide size</b>	WR975 / R9
<b>Reactor outlet</b>	-