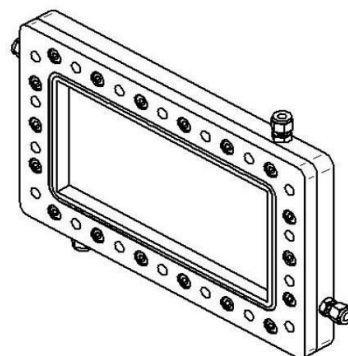
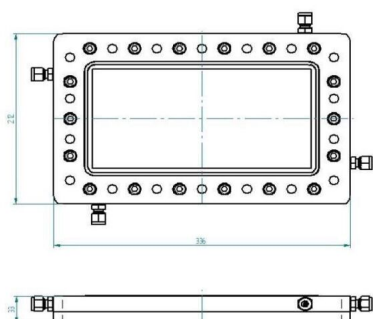


# DRUCKFENSTER - MW0002B-230CC

Category: Waveguide components



## BILDERGALERIE



Outline Dimensions (mm(inch))

## ADDITIONAL INFORMATION

<b>Frequency [MHz]</b>	915
<b>Output Power CW [W]</b>	100000
<b>Waveguide size</b>	WR975 / R9
<b>Flange</b>	UDR
<b>Product group</b>	Waveguide