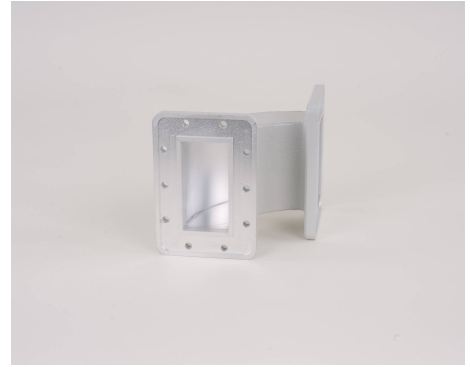


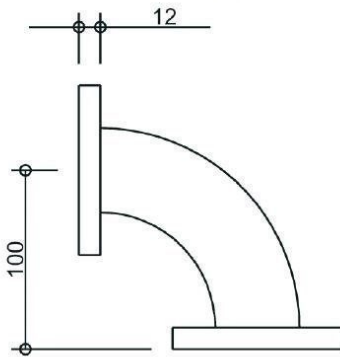
E-BEND - MW3001A-260ED

Category: Waveguide components

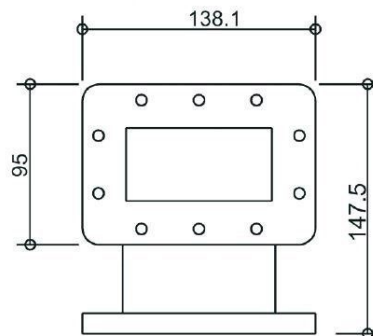


BILDERGALERIE

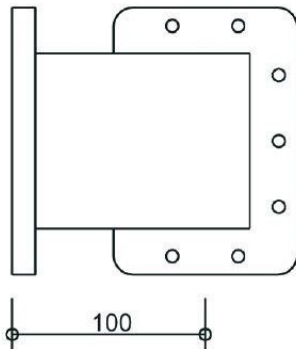
Outline Dimensions (mm(inch))



Outline Dimensions (mm(inch))



Outline Dimensions (mm(inch))



ADDITIONAL INFORMATION

Frequency [MHz]	2450
Output Power CW [W]	30000
Waveguide size	WR340 / R26
Flange	PDR
Product group	Waveguide