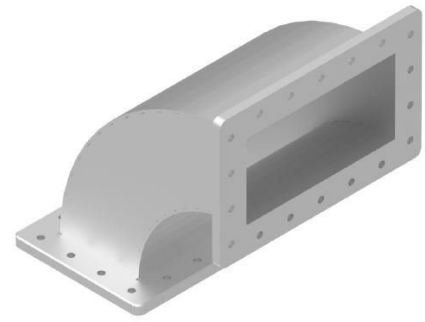


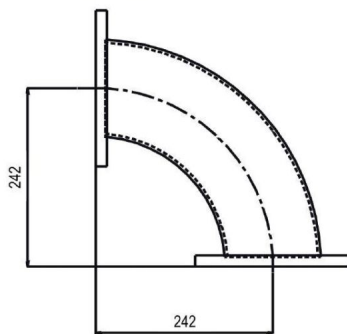
E-BEND - MW3007A-260CC

Category: Waveguide components

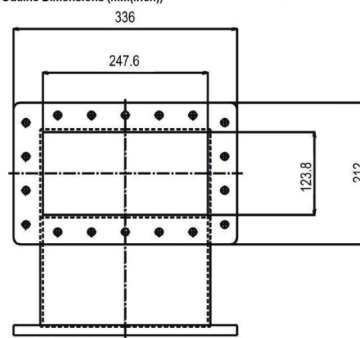


BILDERGALERIE

Outline Dimensions (mm(inch))



Outline Dimensions (mm(inch))



ADDITIONAL INFORMATION

Frequency [MHz]	915
Output Power CW [W]	100000
Waveguide size	WR975 / R9
Flange	UDR
Product group	Waveguide