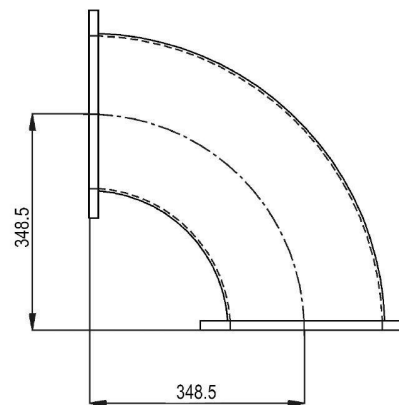


# H-BEND - MW3002B-260CC

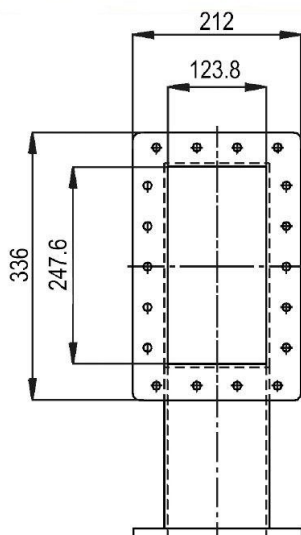
Category: Waveguide components

Outline Dimensions (mm(inch))



## BILDERGALERIE

Outline Dimensions (mm(inch))



## ADDITIONAL INFORMATION

<b>Frequency [MHz]</b>	915
<b>Output Power CW [W]</b>	100000
<b>Waveguide size</b>	WR975 / R9
<b>Flange</b>	UDR
<b>Product group</b>	Waveguide