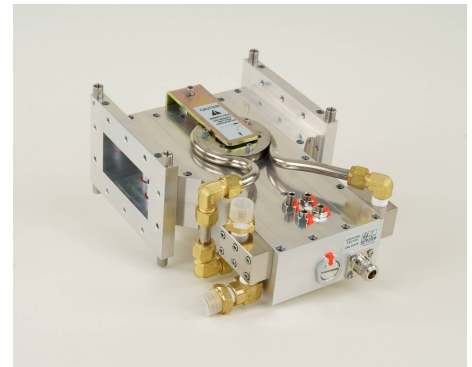


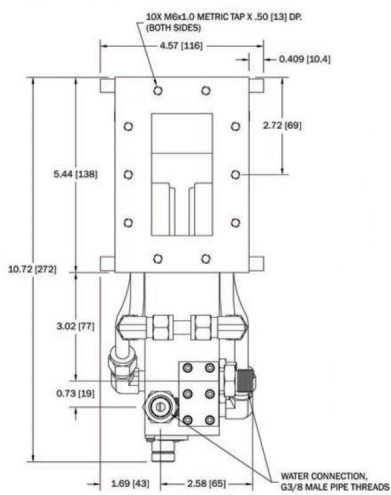
ISOLATOR - MW1006A-210EC

Category: Waveguide components

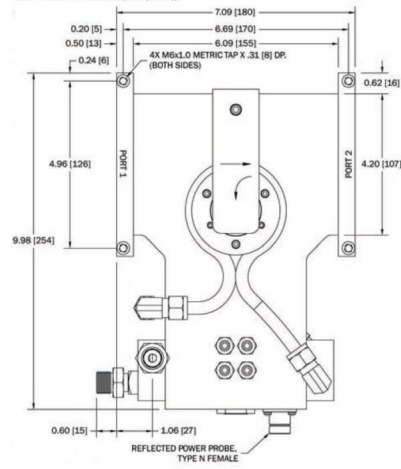


BILDERGALERIE

Outline Dimensions (mm(inch))



Outline Dimensions (mm(inch))



ADDITIONAL INFORMATION

Frequency [MHz]	2450
Output Power CW [W]	6000
Waveguide size	WR340 / R26
Flange	UDR
Product group	Iso- / Circulator