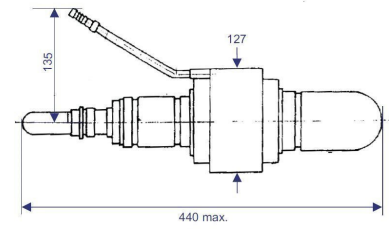


MAGNETRON - 1200054

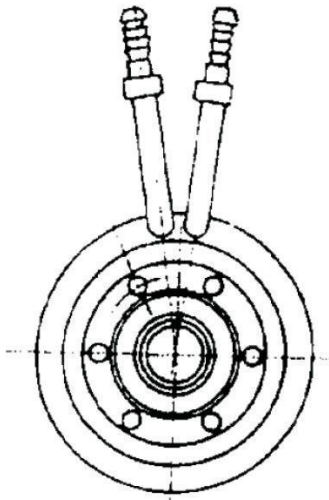
Category: Magnetrons

Tube Outline Dimensions (mm(inch))



BILDERGALERIE

Tube Outline Dimensions (mm(inch))



ADDITIONAL INFORMATION

Typ	Magnetron
OEM Item Number	CK-147 5KW
Output Power CW [W]	5000
Frequency [MHz]	915
ISM Band	L-Band
Cooling	air-cooled & water-cooled
Orientation of HV and cooling connectors	-
Fastening / Studs	including pole piece
Orientation HV to fastening	-
Magnet	-
Cooling Connector Type	Hose Nipple Ø9 mm
Temperature sensor	-