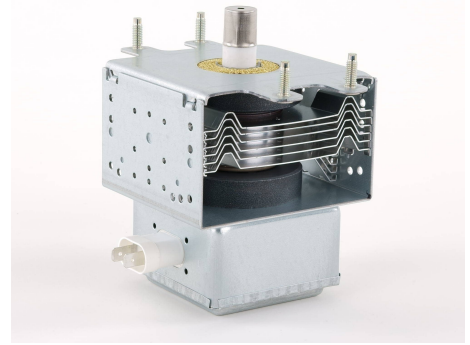
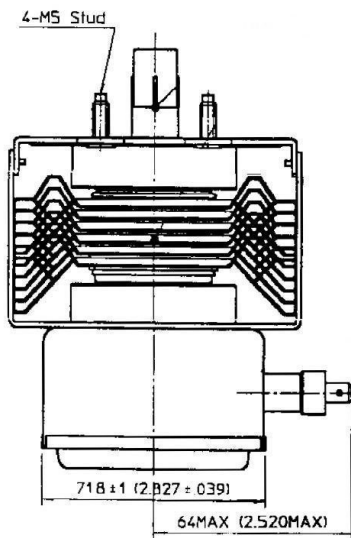


MAGNETRON - 1200103

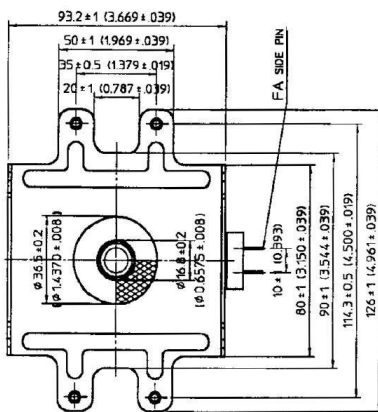
Category: Magnetrons



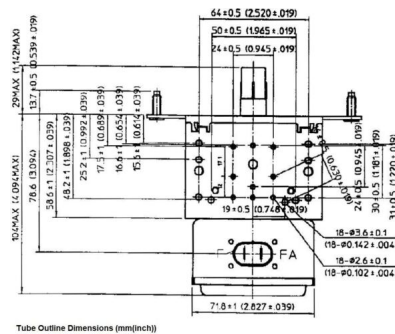
BILDERGALERIE



Tube Outline Dimensions (mm(inch))



Tube Outline Dimensions (mm(inch))



ADDITIONAL INFORMATION

Typ	Magnetron
OEM Item Number	2M244-M10J1
Output Power CW [W]	1000
Frequency [MHz]	2450
ISM Band	S-Band
Cooling	air-cooled
Orientation of HV and cooling connectors	90°
Fastening / Studs	2x M5 Bolt (Studs)
Orientation HV to fastening	90°
Magnet	Packaged magnet
Cooling Connector Type	-
Temperature sensor	-