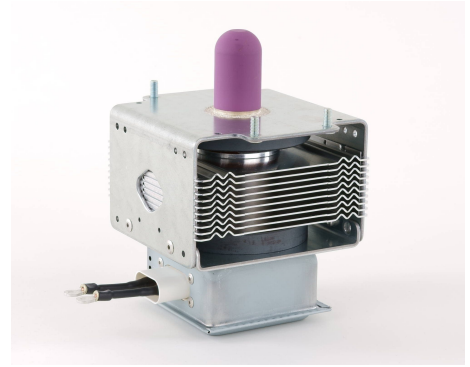
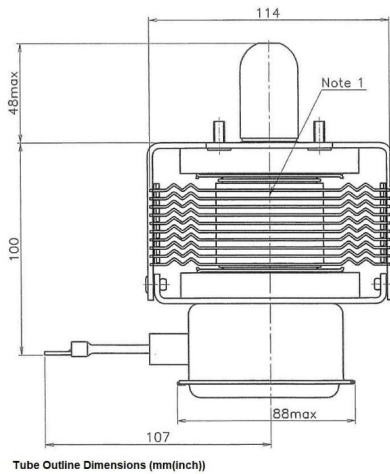
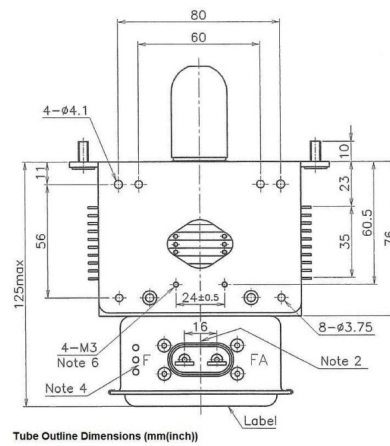
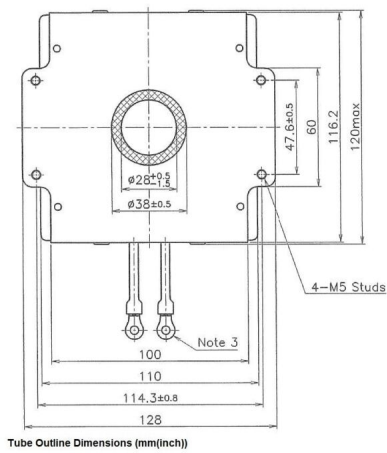


MAGNETRON - 1200171

Category: Magnetrons



BILDERGALERIE



ADDITIONAL INFORMATION

Typ	Magnetron
OEM Item Number	2M130-70
Output Power CW [W]	2000
Frequency [MHz]	2450
ISM Band	S-Band
Cooling	air-cooled
Orientation of HV and cooling connectors	90°
Fastening / Studs	2x M5 Bolt (Studs)
Orientation HV to fastening	90°
Magnet	Packaged magnet
Cooling Connector Type	-
Temperature sensor	-