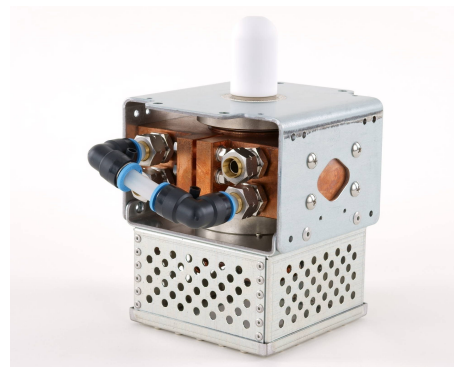
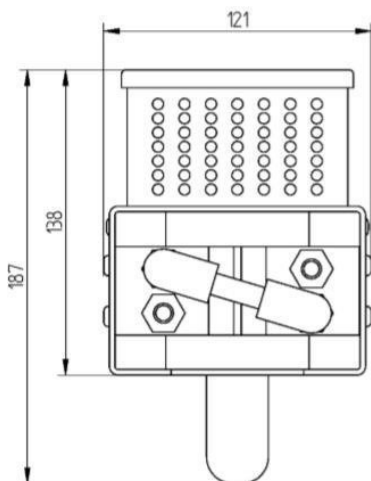
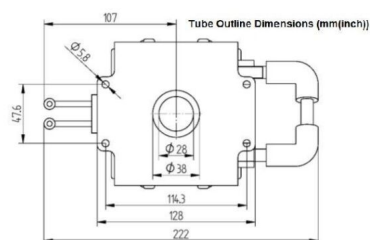
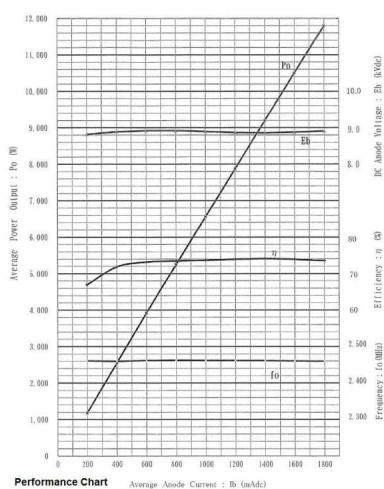


MAGNETRON - 1200181

Category: Magnetrons



BILDERGALERIE



Tube Outline Dimensions (mm(inch))

ADDITIONAL INFORMATION

| | |
|---|--|
| Typ | Magnetron |
| OEM Item Number | H0915-10 |
| Output Power CW [W] | 10000 |
| Frequency [MHz] | 2450 |
| ISM Band | S-Band |
| Cooling | water-cooled |
| Orientation of HV and cooling connectors | 180° |
| Fastening / Studs | 4 x Through-hole 5,8 (no studs) |
| Orientation HV to fastening | 0° |
| Magnet | Packaged magnet |
| Cooling Connector Type | Tube fittings Ø 10 mm x 6 mm (Outer x Inner) |
| Temperature sensor | - |