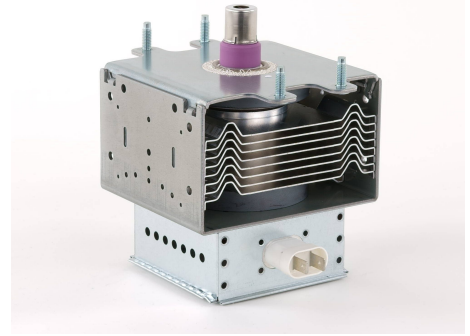
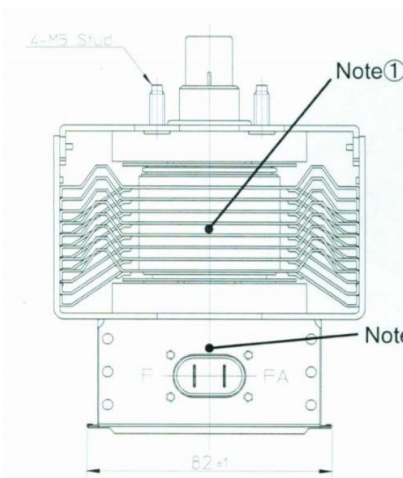


MAGNETRON - 1200219

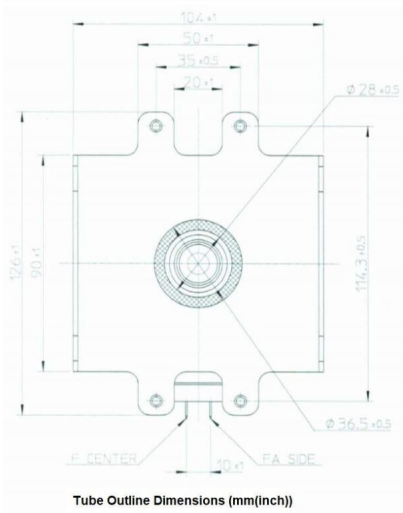
Category: Magnetrons



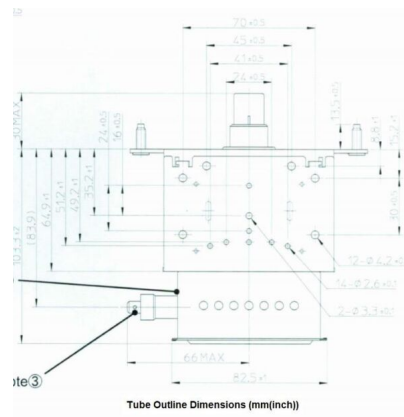
BILDERGALERIE



Tube Outline Dimensions (mm(inch))



Tube Outline Dimensions (mm(inch))



Tube Outline Dimensions (mm(inch))

ADDITIONAL INFORMATION

Typ	Magnetron
OEM Item Number	2M262A-08BMG
Output Power CW [W]	1500
Frequency [MHz]	2450
ISM Band	S-Band
Cooling	air-cooled
Orientation of HV and cooling connectors	0°
Fastening / Studs	2x M5 Bolt (Studs)
Orientation HV to fastening	0°
Magnet	Packaged magnet
Cooling Connector Type	-
Temperature sensor	-