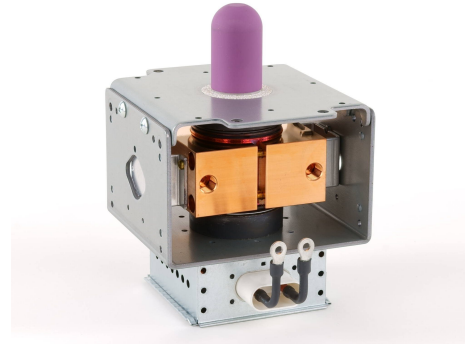
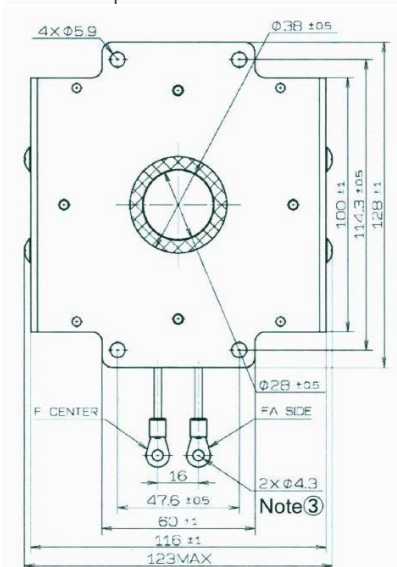
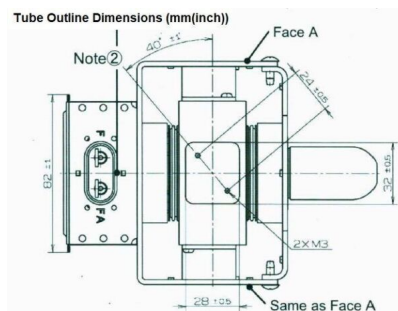
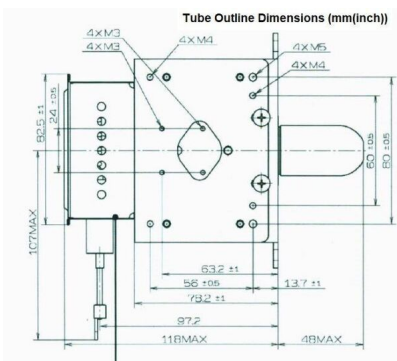


MAGNETRON - 1200388

Category: Magnetrons



BILDERGALERIE



Tube Outline Dimensions (mm(Inch))

ADDITIONAL INFORMATION

Typ	Magnetron
OEM Item Number	PM266E-B45MG
Output Power CW [W]	3000
Frequency [MHz]	2450
ISM Band	S-Band
Cooling	water-cooled
Orientation of HV and cooling connectors	0°
Fastening / Studs	4 x Through-hole 5,8 (no studs)
Orientation HV to fastening	0°
Magnet	Packaged magnet
Cooling Connector Type	G1/8" Female Thread
Temperature sensor	-