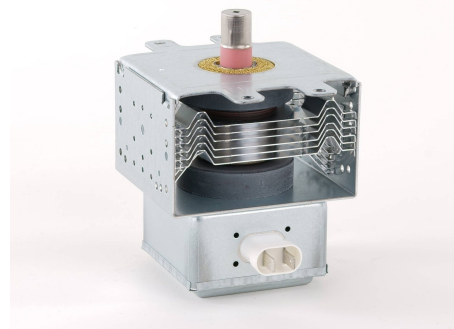
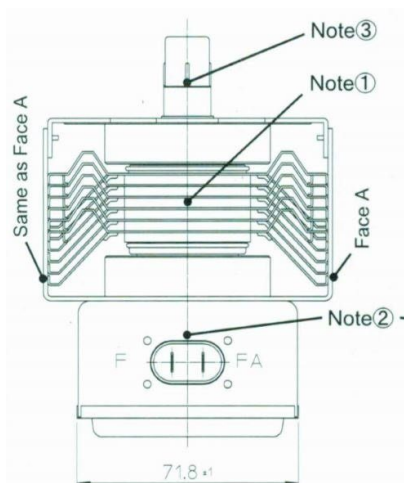


MAGNETRON - 1200392

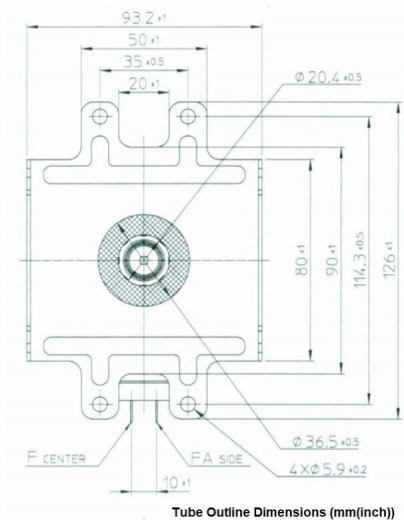
Category: Magnetrons



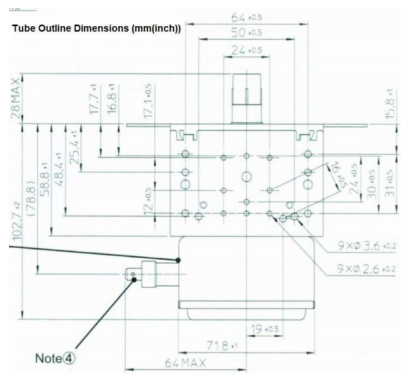
BILDERGALERIE



Tube Outline Dimensions (mm(inch))



Tube Outline Dimensions (mm(inch))



ADDITIONAL INFORMATION

Typ	Magnetron
OEM Item Number	2M167B-M14J1
Output Power CW [W]	900
Frequency [MHz]	2460
ISM Band	S-Band
Cooling	air-cooled
Orientation of HV and cooling connectors	0°
Fastening / Studs	4 x Through-hole 5,8 (no studs)
Orientation HV to fastening	0°
Magnet	Packaged magnet
Cooling Connector Type	-
Temperature sensor	Non