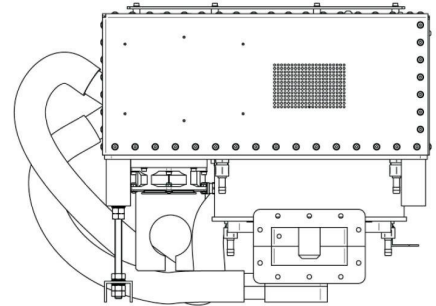


# MAGNETRON-HEAD - MH015KS-314CN

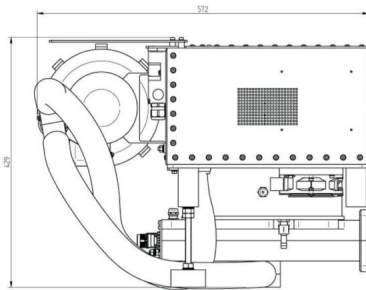
Category: Microwave generators

Outline Dimensions (mm(Inch))

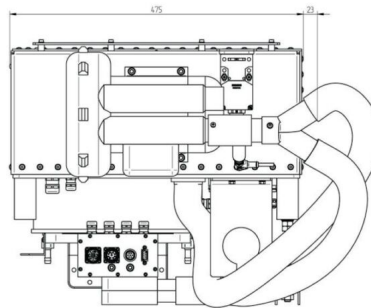


## BILDERGALERIE

Outline Dimensions (mm(Inch))



Outline Dimensions (mm(Inch))



## ADDITIONAL INFORMATION

<b>Typ</b>	Magnetron Head
<b>Frequency [MHz]</b>	2450
<b>Output Power CW [W]</b>	15000
<b>Line connection</b>	2~ (L1 / L2 / PE)
<b>Mains voltage control circuit [V]</b>	230
<b>Line Frequency [Hz]</b>	50 / 60
<b>Cooling</b>	Air / Water, Air / Water
<b>Pulse output power max [W]</b>	-
<b>Front-Panel (HMI)</b>	Neutral
<b>Width [mm (inch)]</b>	471 (18,54)
<b>Height [mm (inch)]</b>	424 (16,69)
<b>Depth [mm (inch)]</b>	570 (22,44)
<b>Protection Class</b>	IP20
<b>Output Connection Type</b>	WR430 / R22
<b>Output Connection</b>	Waveguide
<b>Isolator</b>	No
<b>Power-Supply</b>	