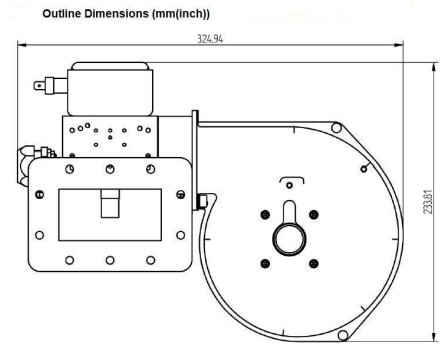
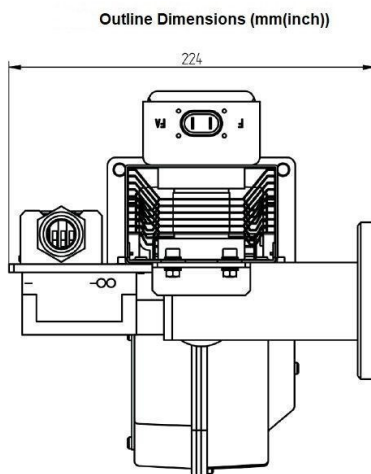


MAGNETRON-HEAD - MH1000B-250BH

Category: Microwave generators



BILDERGALERIE



ADDITIONAL INFORMATION

Typ	Magnetron Head
Frequency [MHz]	2450
Output Power CW [W]	1000
Line connection	1~ (L / N / PE)
Mains voltage control circuit [V]	-
Line Frequency [Hz]	-
Cooling	air
Pulse output power max [W]	-
Front-Panel (HMI)	-
Width [mm (inch)]	325 (12,80)
Height [mm (inch)]	235 (9,25)
Depth [mm (inch)]	235 (9,25)
Protection Class	IP00
Output Connection Type	WR340 / R26
Output Connection	Waveguide
Isolator	No