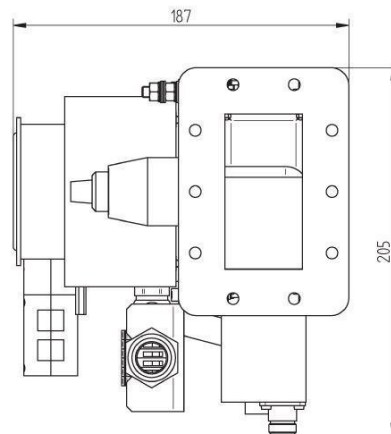


MAGNETRON-HEAD - MH2000F-252BV

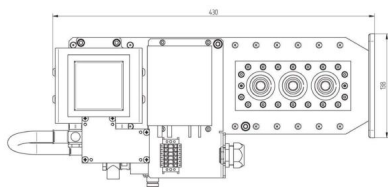
Category: Microwave generators

Outline Dimensions (mm(inch))



BILDERGALERIE

Outline Dimensions (mm(inch))



ADDITIONAL INFORMATION

Typ	Magnetron Head
Frequency [MHz]	2450
Output Power CW [W]	2000
Line connection	1 v 2 ~ (L / N v L2 / PE)
Mains voltage control circuit [V]	24
Line Frequency [Hz]	DC
Cooling	water
Pulse output power max [W]	-
Front-Panel (HMI)	-
Width [mm (inch)]	205 (8,07)
Height [mm (inch)]	187 (7,36)
Depth [mm (inch)]	490 (19,29)
Protection Class	IP00
Output Connection Type	WR340 / R26
Output Connection	Waveguide
Isolator	yes