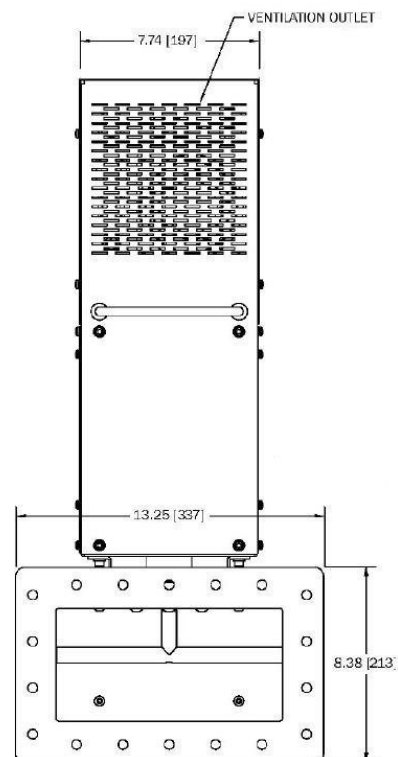


MAGNETRON-HEAD - MH5000S-510DL

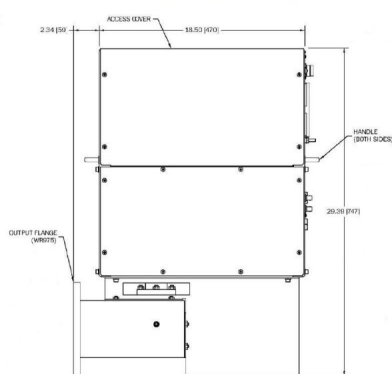
Category: Microwave generators

Outline Dimensions (mm(inch))

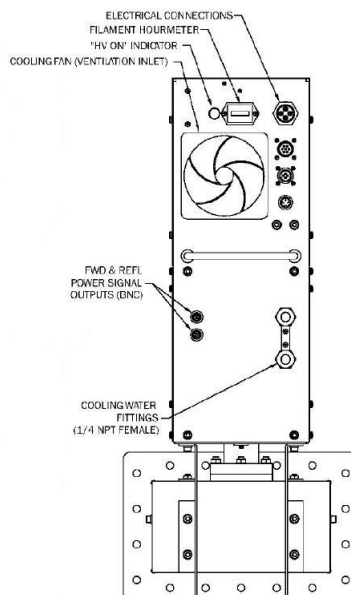


BILDERGALERIE

Outline Dimensions (mm(inch))



Outline Dimensions (mm(inch))



ADDITIONAL INFORMATION

Typ	Magnetron Head
Frequency [MHz]	915
Output Power CW [W]	5000
Line connection	2~ (L1 / L2 / PE)
Mains voltage control circuit [V]	-
Line Frequency [Hz]	-
Cooling	Air / Water, Air / Water
Pulse output power max [W]	-
Front-Panel (HMI)	No Front-Panel, No Front-Panel
Width [mm (inch)]	337 (13,27)
Height [mm (inch)]	1041 (40,98)
Depth [mm (inch)]	676 (26,61)
Protection Class	IP20
Output Connection Type	WR975 / R9
Output Connection	Waveguide
Isolator	No