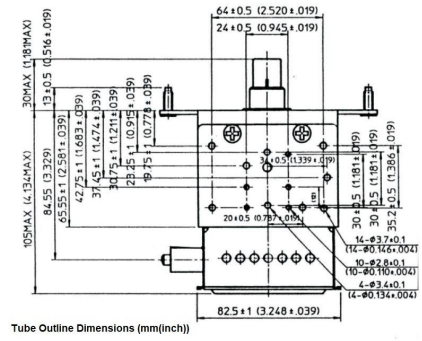


MAGNETRON - MB2422A-120CF

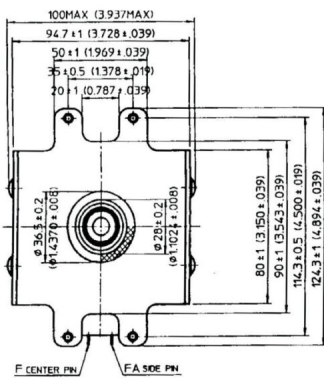
Category: Magnetrons



Tube Outline Dimensions (mm(inch))

BILDERGALERIE

Tube Outline Dimensions (mm(inch))



ADDITIONAL INFORMATION

| | |
|---|---------------------------------|
| Typ | Magnetron |
| OEM Item Number | MB2422A-120CF |
| Output Power CW [W] | 1250 |
| Frequency [MHz] | 2450 |
| ISM Band | S-Band |
| Cooling | water-cooled |
| Orientation of HV and cooling connectors | 180° |
| Fastening / Studs | 4 x Through-hole 5,8 (no studs) |
| Orientation HV to fastening | 0° |
| Magnet | Packaged magnet |
| Cooling Connector Type | Hose Nipple Ø11 mm |
| Temperature sensor | - |