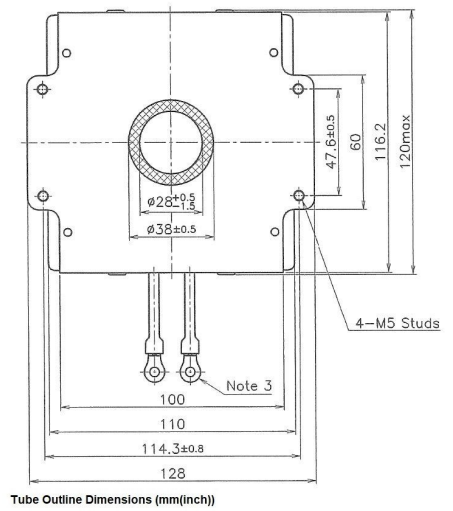
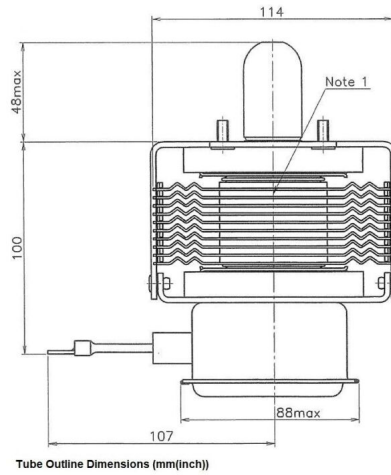
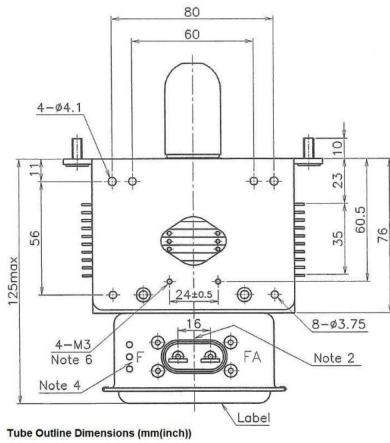


MAGNETRON - MB2532A-140ET

Category: Magnetrons



BILDERGALERIE



ADDITIONAL INFORMATION

Typ	Magnetron
OEM Item Number	
Output Power CW [W]	
Frequency [MHz]	2455
ISM Band	S-Band
Cooling	water-cooled
Orientation of HV and cooling connectors	90°
Fastening / Studs	2x M5 Bolt (Studs)
Orientation HV to fastening	90°
Magnet	Packaged magnet
Cooling Connector Type	G3/8" Female Thread
Temperature sensor	-