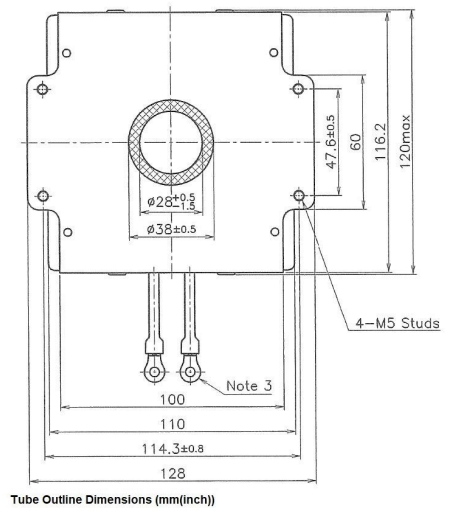
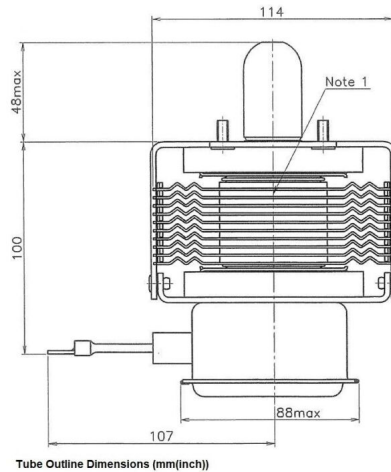
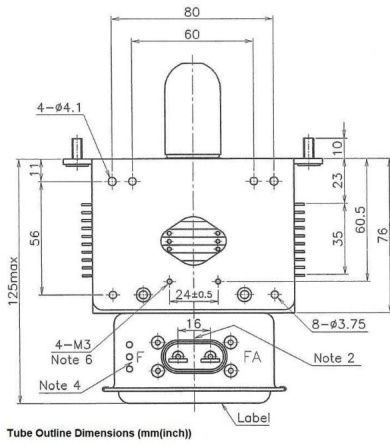


MAGNETRON - MB2532A-140ET

Category: Magnetrons



BILDERGALERIE



ADDITIONAL INFORMATION

| | |
|---|---------------------|
| Typ | Magnetron |
| OEM Item Number | MB2532A-140ET |
| Output Power CW [W] | 2000 |
| Frequency [MHz] | 2450 |
| ISM Band | S-Band |
| Cooling | water-cooled |
| Orientation of HV and cooling connectors | 90° |
| Fastening / Studs | 2x M5 Bolt (Studs) |
| Orientation HV to fastening | 90° |
| Magnet | Packaged magnet |
| Cooling Connector Type | G3/8" Female Thread |
| Temperature sensor | - |