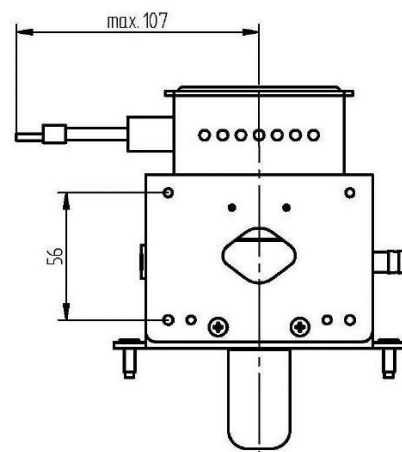


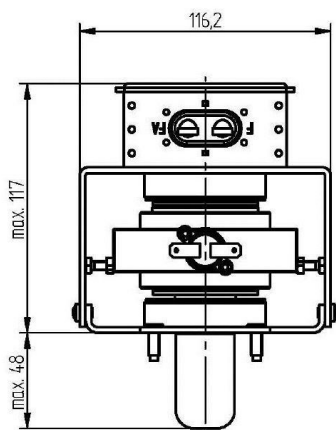
# MAGNETRON - MB2568A-130ED

Category: Magnetrons

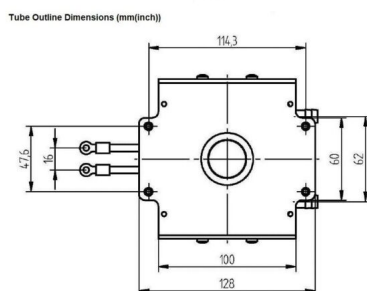


Tube Outline Dimensions (mm(inch))

## BILDERGALERIE



Tube Outline Dimensions (mm(inch))



Tube Outline Dimensions (mm(inch))

## ADDITIONAL INFORMATION

<b>Typ</b>	Magnetron
<b>OEM Item Number</b>	MB2568A-130ED
<b>Output Power CW [W]</b>	2000
<b>Frequency [MHz]</b>	2450
<b>ISM Band</b>	S-Band
<b>Cooling</b>	water-cooled
<b>Orientation of HV and cooling connectors</b>	180°
<b>Fastening / Studs</b>	2x M5 Bolt (Studs)
<b>Orientation HV to fastening</b>	0°
<b>Magnet</b>	Packaged magnet
<b>Cooling Connector Type</b>	Hose Nipple Ø9 mm
<b>Temperature sensor</b>	50 °C (122 °F)
<b>Equivalent to</b>	NL10250-7