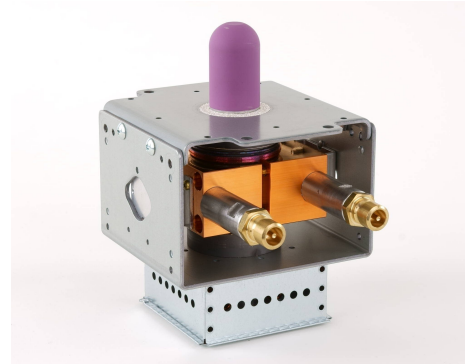


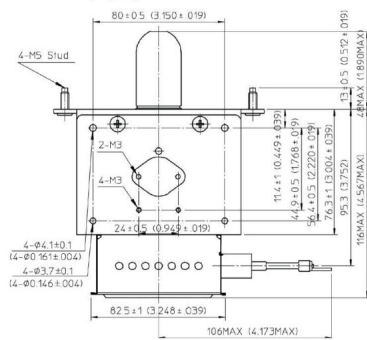
MAGNETRON - MB2658A-120EL

Category: Magnetrons

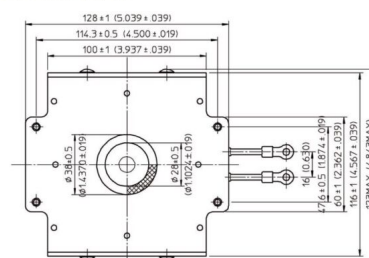


BILDERGALERIE

Outline Dimensions (mm)(inch)



Outline Dimensions (mm)(inch)



ADDITIONAL INFORMATION

Typ	Magnetron
OEM Item Number	MB2658A-120EL
Output Power CW [W]	3000
Frequency [MHz]	2450
ISM Band	S-Band
Cooling	water-cooled
Orientation of HV and cooling connectors	180°
Fastening / Studs	4 x Through-hole 5,8 (no studs)
Orientation HV to fastening	0°
Magnet	Packaged magnet
Cooling Connector Type	Plug nipples
Temperature sensor	50 °C (122 °F)