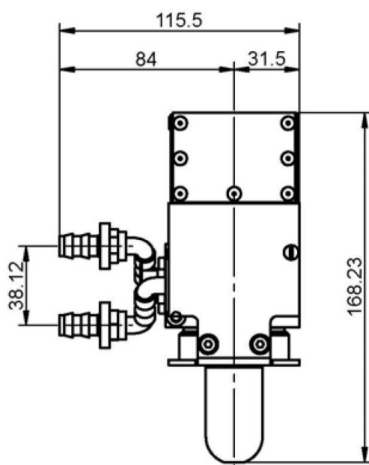


# MAGNETRON - MB2658A-170FZ

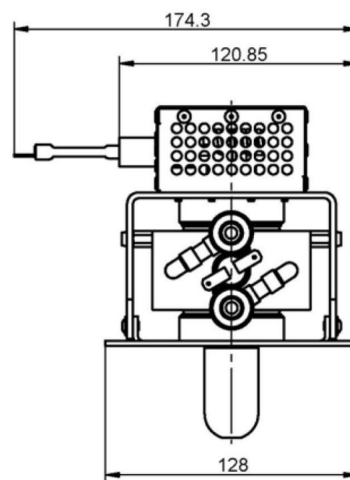
Category: Magnetrons



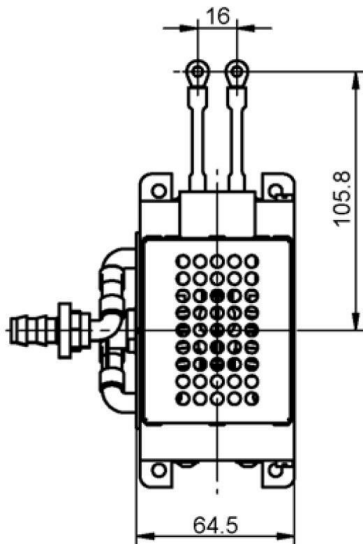
## BILDERGALERIE



Tube Outline Dimensions (mm(inch))



Tube Outline Dimensions (mm(inch))



Tube Outline Dimensions (mm(inch))

## ADDITIONAL INFORMATION

<b>Typ</b>	Magnetron
<b>OEM Item Number</b>	MB2658A-170FZ
<b>Output Power CW [W]</b>	1500
<b>Frequency [MHz]</b>	2450
<b>ISM Band</b>	S-Band
<b>Cooling</b>	water-cooled
<b>Orientation of HV and cooling connectors</b>	90°
<b>Fastening / Studs</b>	4 x Through-hole 5,8 (no studs)
<b>Orientation HV to fastening</b>	0°
<b>Magnet</b>	Packaged magnet
<b>Cooling Connector Type</b>	Hose Nipple Ø9 mm
<b>Temperature sensor</b>	80 °C (176 °F)
<b>Equivalent to</b>	DX582A
<b>Used in</b>	ASTeX 1.5 kW (e.g. AX-2115)